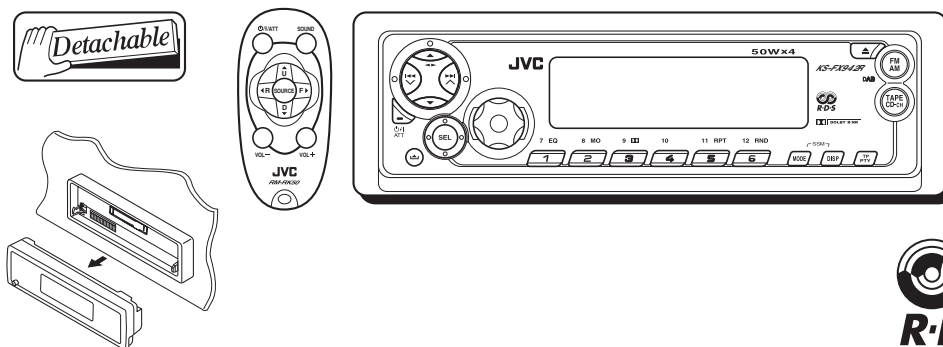


JVC

SERVICE MANUAL

CASSETTE RECEIVER

KS-FX942R



Area Suffix

E ----- Continental Europe

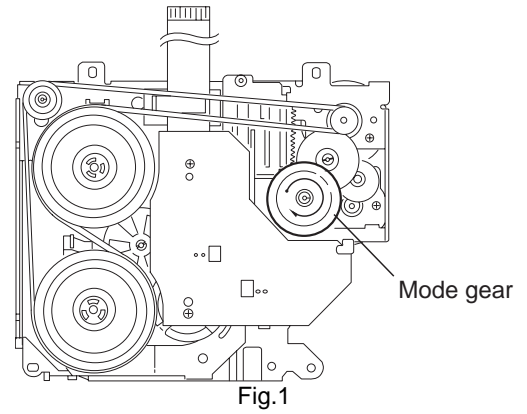
TABLE OF CONTENTS

1	PRECAUTION.....	1-3
2	SPECIFIC SERVICE INSTRUCTIONS.....	1-4
3	DISASSEMBLY.....	1-5
4	ADJUSTMENT.....	1-20
5	TROUBLE SHOOTING.....	1-24
6	DESCRIPTION OF MAJOR ICs.....	1-25

3.2 Cassette mechanism assembly

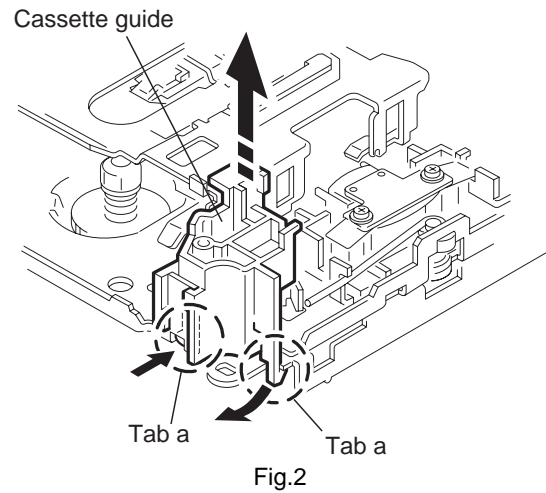
REFERENCE:

Prior to performing the following procedures, turn the mode gear on the bottom of the body until the respective part comes to the EJECT position (Refer to Fig.1).



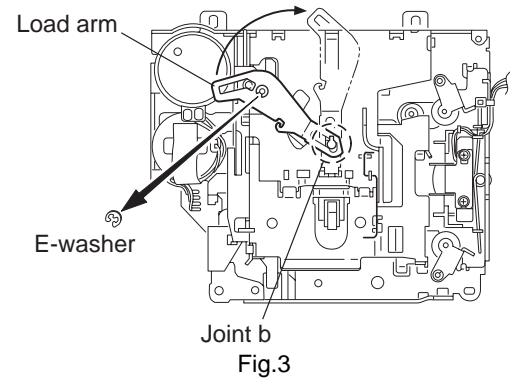
3.2.1 Removing the cassette guide (See Fig.2)

- (1) Turn the mode gear to set to RVS play or subsequent mode.
- (2) Remove the cassette guide from the main chassis while releasing each two joint tabs **a** in the direction of the arrow.



3.2.2 Removing the load arm (See Fig.3)

- (1) Remove the E-washer attaching the load arm.
- (2) Move the load arm in the direction of the arrow and release the joint **b** on the cassette catch.



3.2.3 Removing the cassette hanger assembly / cassette holder (See Fig.4 to 7)

- (1) Check the mode is set to EJECT. Push down the front part of the cassette holder and move in the direction of the arrow to release the joint **c**.
- (2) Move the rear part of the cassette hanger assembly in the direction of the arrow to release it from the two joint bosses **d**.
- (3) Release the holder stabilizer spring from the hooks **e** and **f**, then pull out from the cassette hanger assembly.
- (4) Bring up the rear side of the cassette hanger assembly to release the joint **g** and **h**.
- (5) Pull out the cassette catch from the cassette hanger assembly.

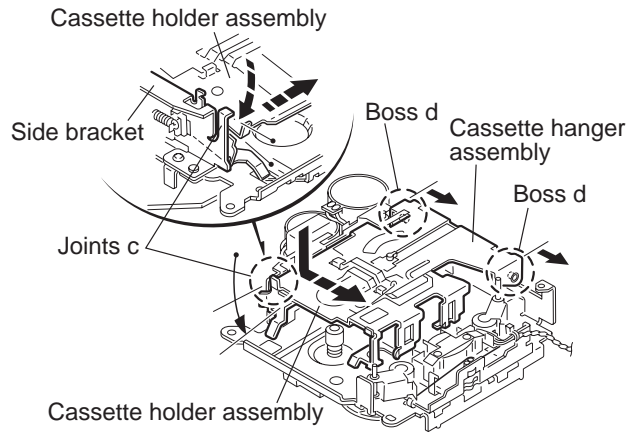


Fig.4

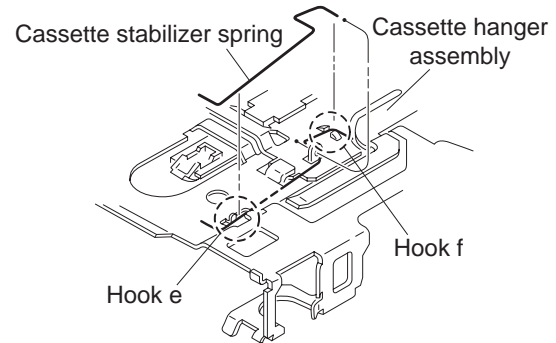


Fig.5

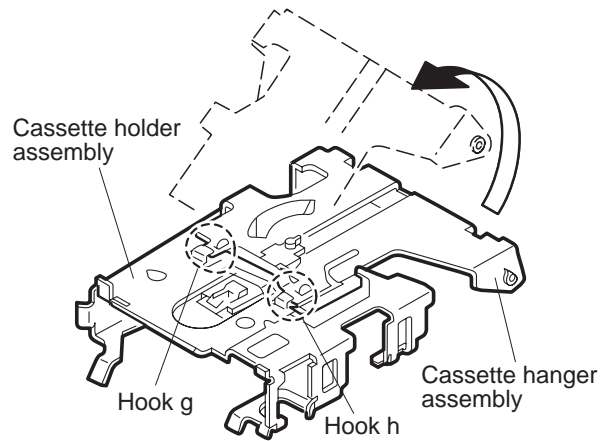


Fig.6

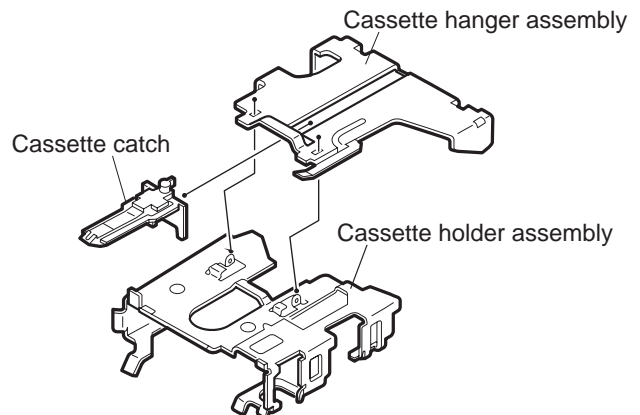


Fig.7

3.2.4 Removing the side bracket assembly (See Fig.8 to 10)

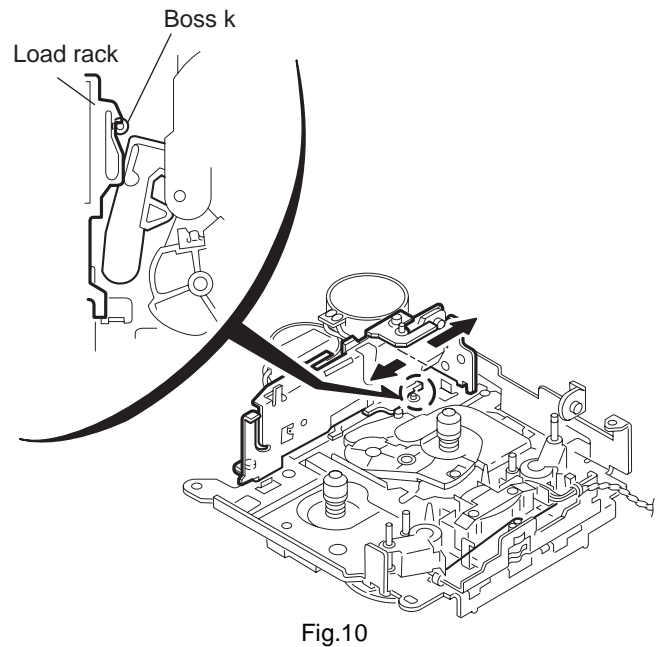
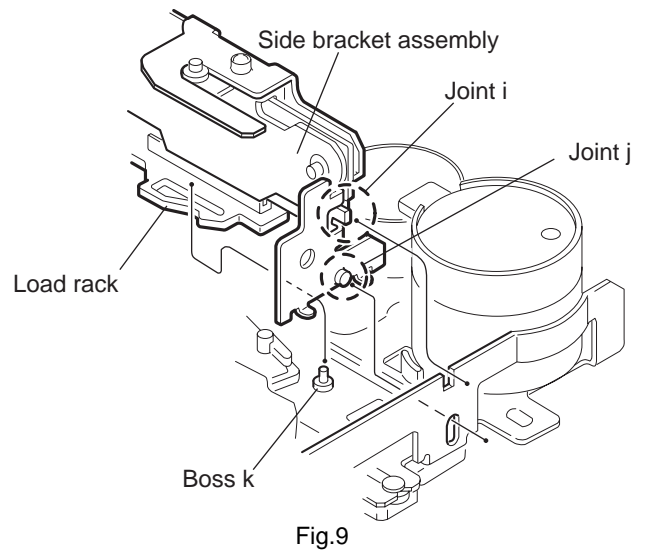
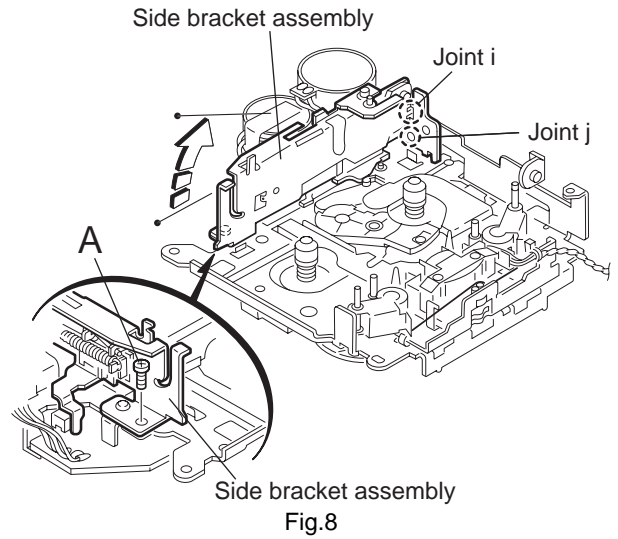
- (1) Remove the screw **A** attaching the side bracket assembly.
- (2) Detach the front side of the side bracket assembly upward and pull out forward to release the joint **i** and **j** in the rear.

CAUTION:

When reassembling, make sure that the boss **k** of the main chassis is set in the notch of the load rack under the side bracket assembly. Do not reattach the load rack on the boss **k**.

CAUTION:

After reattaching the side bracket assembly, confirm operation.



**3.2.5 Removing the pinch arm (F) assembly
(See Fig.11 and 12)**

- (1) Remove the polywasher and pull out the pinch arm (F) assembly.
- (2) Remove the compulsion spring.

**3.2.6 Removing the pinch arm (R) assembly
(See Fig.11 and 12)**

- (1) Remove the polywasher and pull out the pinch arm (R) assembly.

**3.2.7 Removing the slide chassis assembly
(See Fig.13 and 14)**

REFERENCE:

- It is not necessary to remove the head and the tape guide.
- (1) Move the slide chassis assembly in the direction of the arrow to release the two joints I and remove from the main chassis.
 - (2) Remove the rack link.

CAUTION:

When reassembling, first reattach the rack link, and next fit the boss m and hook n of the slide chassis assembly to the hole of the main chassis, and engage the two joints I.

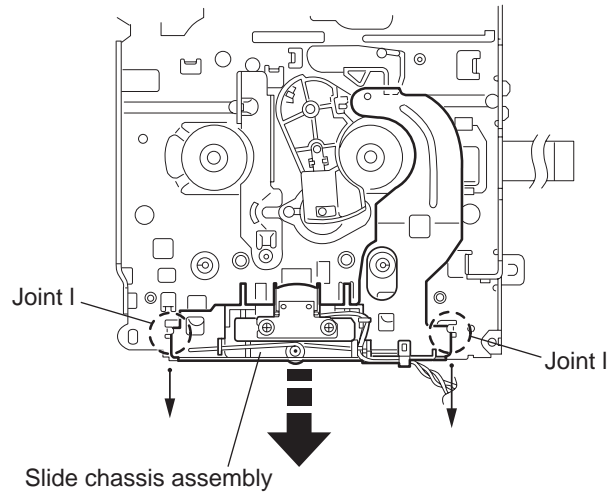


Fig.13

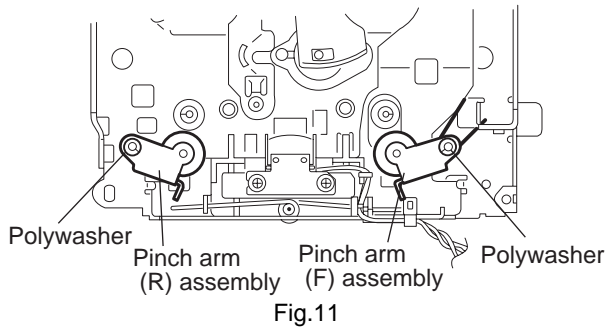


Fig.11

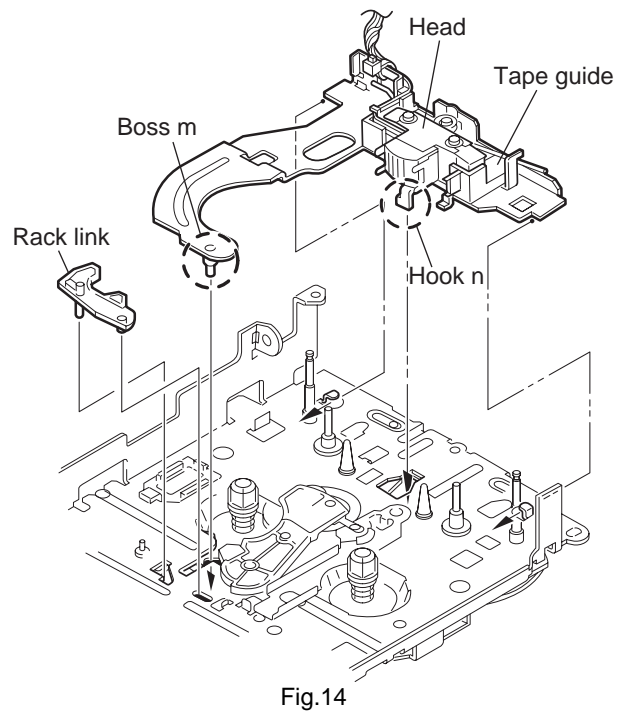


Fig.14

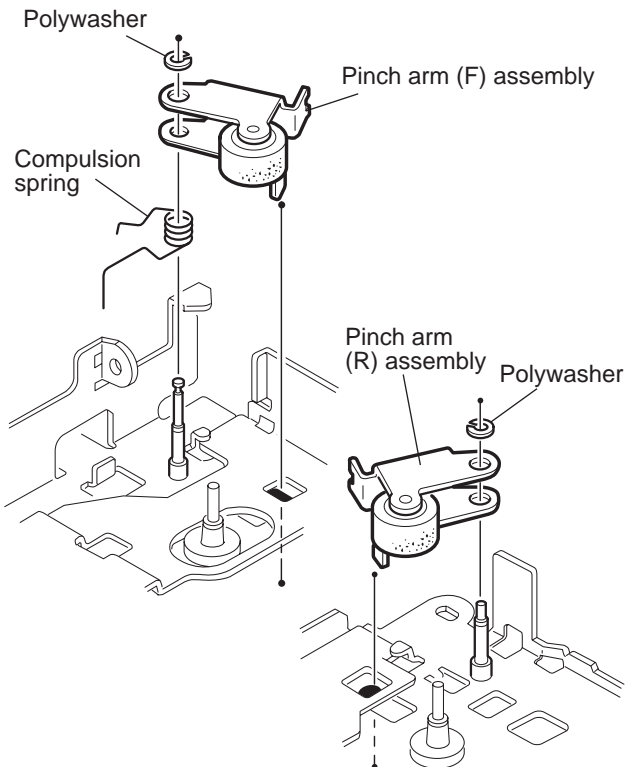


Fig.12

3.2.8 Removing the head / tape guide (See Fig.16 and 17)

REFERENCE:

It is not necessary to remove the slide chassis assembly.

- (1) Remove the band attaching the wire to the head.
- (2) Remove the two screws **B**, the head and the head support spring.
- (3) Remove the pinch arm spring from the tape guide.
- (4) Remove the tape guide and the pinch spring arm.

CAUTION:

When reattaching the pinch arm spring, set both end of it to the pinch spring arm (remarked **o**).

CAUTION:

When reattaching the head, set the wires into the groove of the tape guide (Fig.16).

3.2.9 Removing the flywheel assembly (F) & (R) (See Fig.18 and 19)

REFERENCE:

It is not necessary to remove the slide chassis assembly.

- (1) Remove the belt at the bottom.
- (2) Remove the two polywashers on the upper side.
- (3) Pull out each flywheel assembly downward.

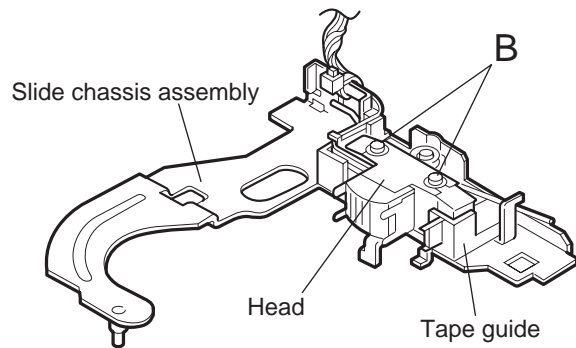


Fig.15

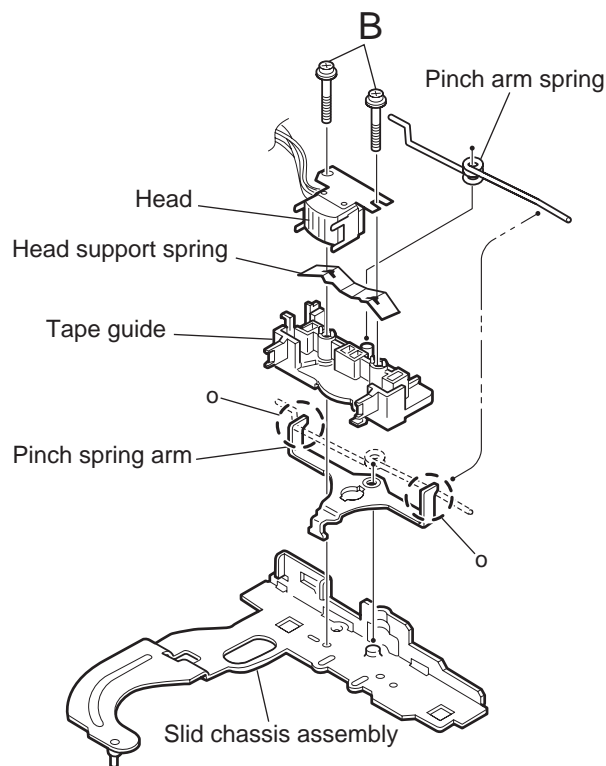
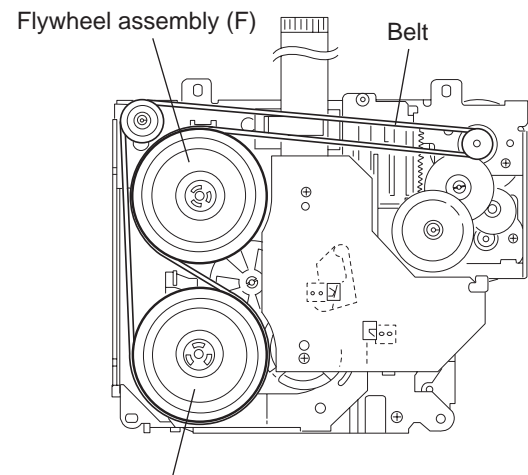


Fig.16



Flywheel assembly (R)

Fig.17

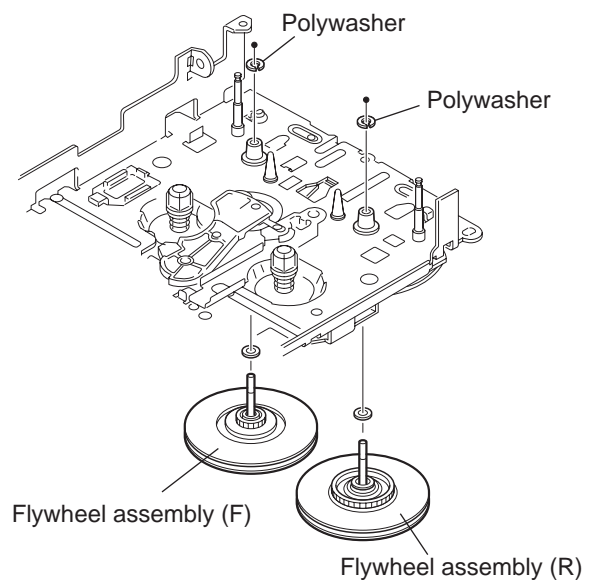


Fig.18

3.2.10 Disassembling the flywheel assembly (F)
(See Fig.19 and 20)

- (1) Push and turn counterclockwise the spring holder (F) to release the three joints p on the bottom of the flywheel.
- (2) The spring holder (F), the TU spring and the friction gear play come off.
- (3) Remove the polywasher and felt.

3.2.11 Disassembling the flywheel assembly (R)
(See Fig.19 and 20)

- (1) Push and turn clockwise the spring holder (R) to release the three joints q on the bottom of the flywheel.
- (2) The spring holder (R), the FF spring and the friction gear FF come off.
- (3) Remove the polywasher and the felt.

3.2.12 Removing the reel board
(See Fig.21 and 22)

- (1) Remove the two screws C attaching the reel board.
- (2) Move the reel board in the direction of the arrow to release the joint r.
- (3) Unsolder the wires if necessary.

CAUTION:

When reattaching, confirm operation of the MODE switch and the ST-BY switch. The mode position between EJECT and ST-BY is optimum for reattaching. Connect the card wire extending from the reel board to the FFC pad before reattaching the reel board.

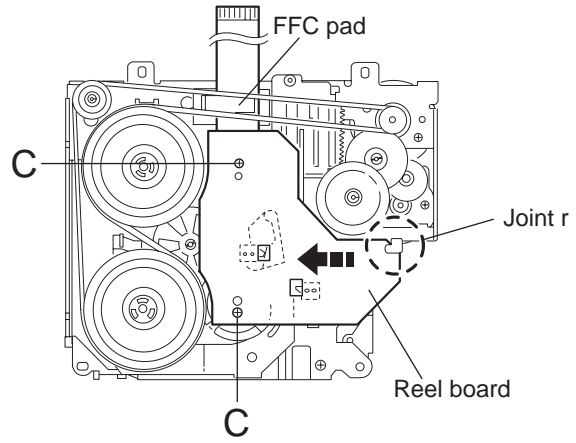


Fig.21

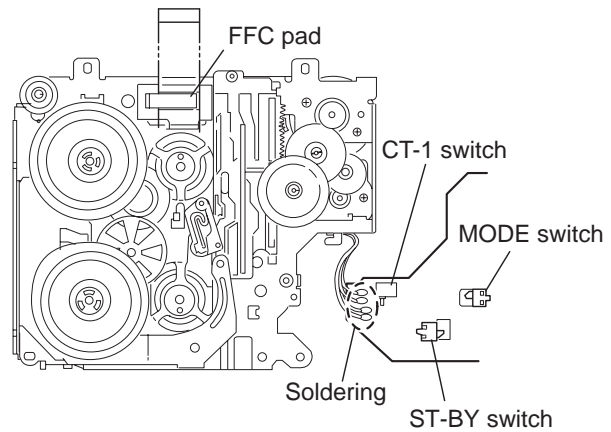


Fig.22

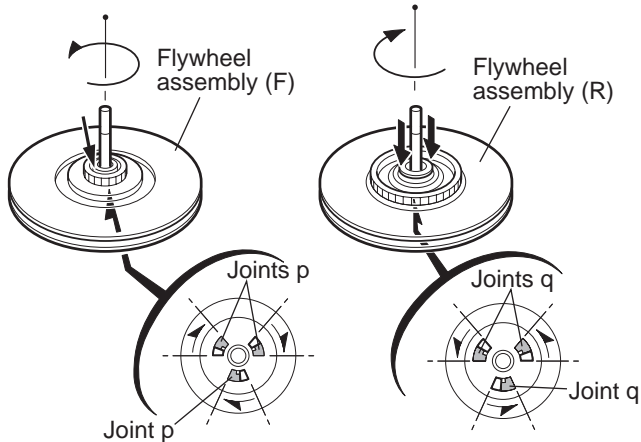


Fig.19

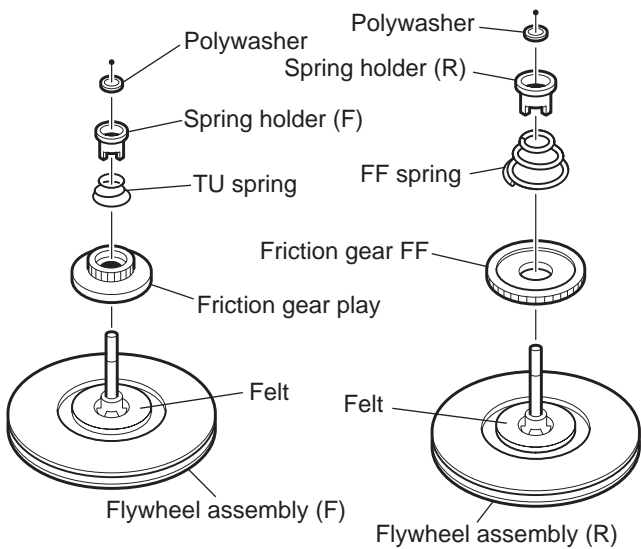


Fig.20

3.2.13 Removing the gear base arm / gear base link assembly (See Fig.23 to 25)

- (1) Move the gear base arm in the direction of the arrow.
- (2) Insert a slotted screwdriver to the gear base spring under the gear base arm, and release the gear base arm upward from the boss on the gear base assembly.
- (3) Remove the gear base arm from the main chassis while releasing the two joints **s**.
- (4) Move the gear base link assembly in the direction of the arrow to release the two joints **t**.

REFERENCE:

When reattaching the gear base arm, make sure that the boss on the gear base assembly is inside the gear base spring.

3.2.14 Removing the FFC pad (See Fig.25 and 27)

- (1) Push each joint hook **u** of the FFC pad and remove toward the bottom.

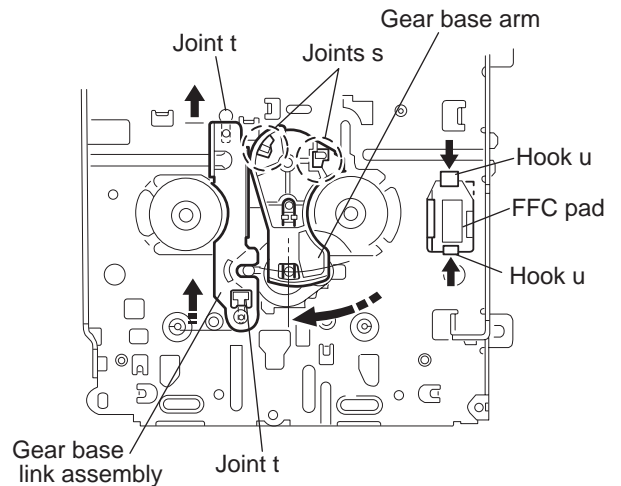


Fig.23

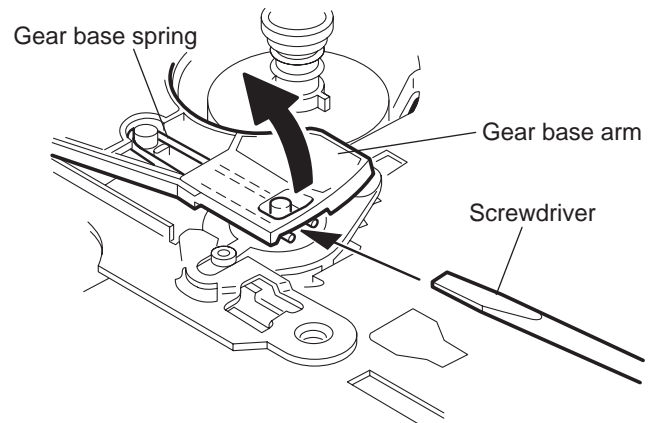


Fig.24

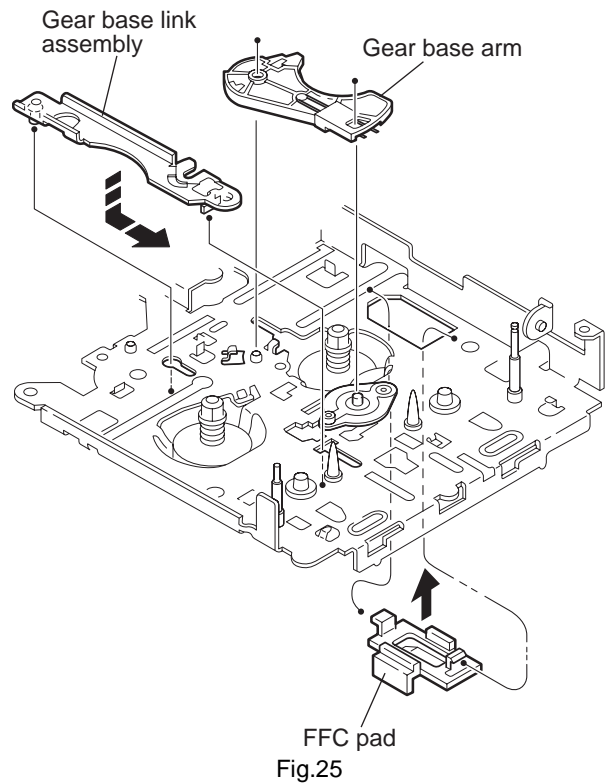


Fig.25

3.2.15 Removing the mode gear
(See Fig.26 and 29)

- (1) Remove the polywasher on the bottom and pull out the mode gear.

3.2.16 Removing the mode switch actuator
(See Fig.26, 27 and 29)

- (1) Pull out the mode switch actuator at the bottom.

REFERENCE:

When reattaching the mode switch actuator to the main chassis, make sure to set on the shaft and insert **v** into the slot **w**.

3.2.17 Removing the direction link / direction plate
(See Fig.27 to 29)

- (1) Remove the polywasher attaching the direction link.
- (2) Bring up the direction link to release the three joints **x**, **y** and **z** at a time.
- (3) Move the direction plate in the direction of the arrow to release the two joints **a**'.

REFERENCE:

When reattaching the direction plate, engage the two joints **a**' and move in the direction of the arrow (Refer to Fig.28).

REFERENCE:

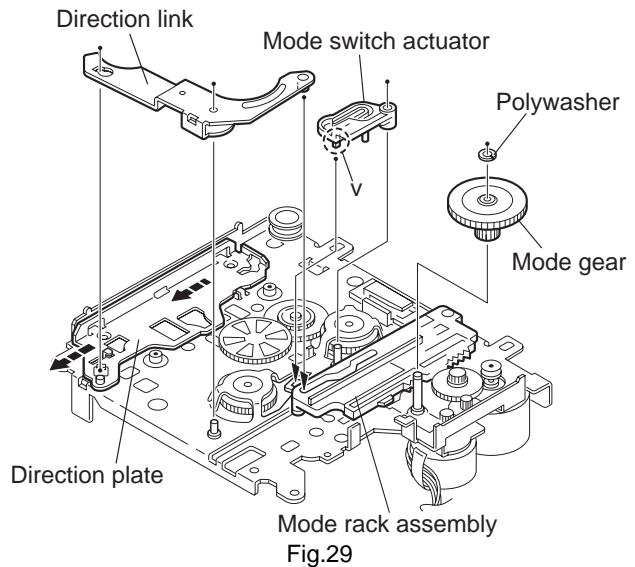
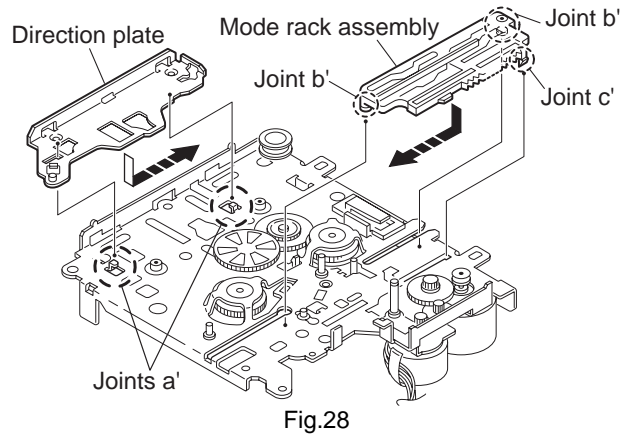
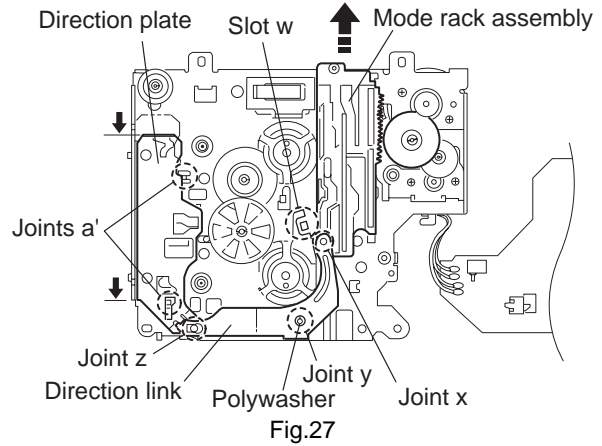
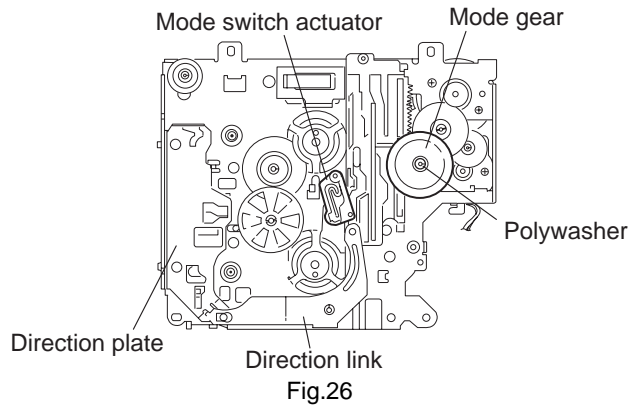
When reattaching the direction link, move the direction plate in the direction of the arrow and engage the three joint **x**, **y** and **z** at a time (Refer to Fig.29).

3.2.18 Removing the mode rack assembly
(See Fig.27 and 28)

- (1) Move the mode rack assembly in the direction of the arrow to release the two joints **b**' and the joint **c**'.

REFERENCE:

When reattaching, set the two **b**' on the bottom of the mode rack assembly into the slots of the main chassis and move in the direction of the arrow (See Fig.28).



**3.2.19 Removing the gear base assembly / take up gear / reflector gear
(See Fig.30 to 32)**

- (1) Push in the pin **d'** of the gear base assembly on the upper side of the body and move the reflector gear toward the bottom, then pull out.
- (2) Remove the polywasher on the bottom and pull out the take up gear.
- (3) Move the gear base assembly in the direction of the arrow to release it from the two slots **e'** of the main chassis.

REFERENCE:

The parts are damaged when removed. Please replace with new ones.

**3.2.20 Removing the reel driver / reel spindle
(See Fig.32)**

- (1) Draw out the reel driver from the shaft on the main chassis and remove the reel driver spring and the reel spindle respectively.

CAUTION:

The reel driver is damaged when removed. Please replace with a new one.

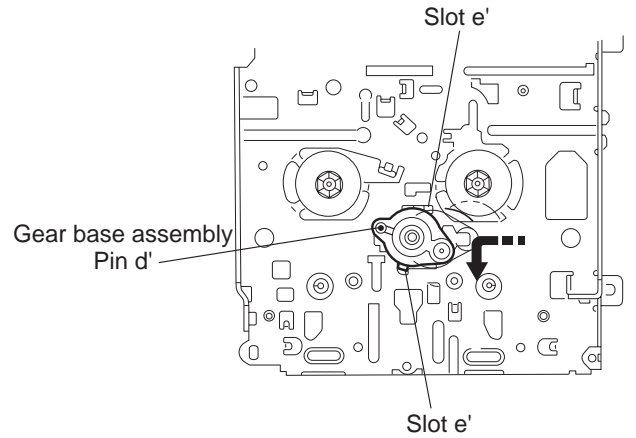


Fig.30

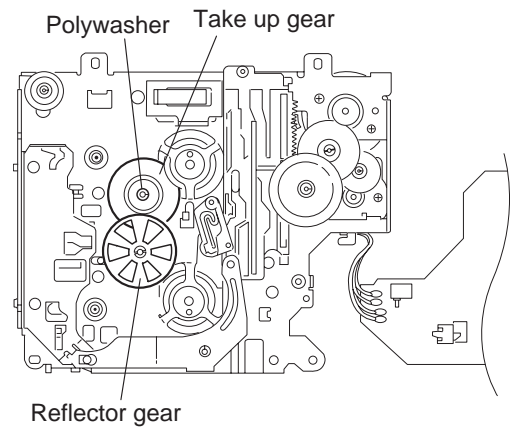


Fig.31

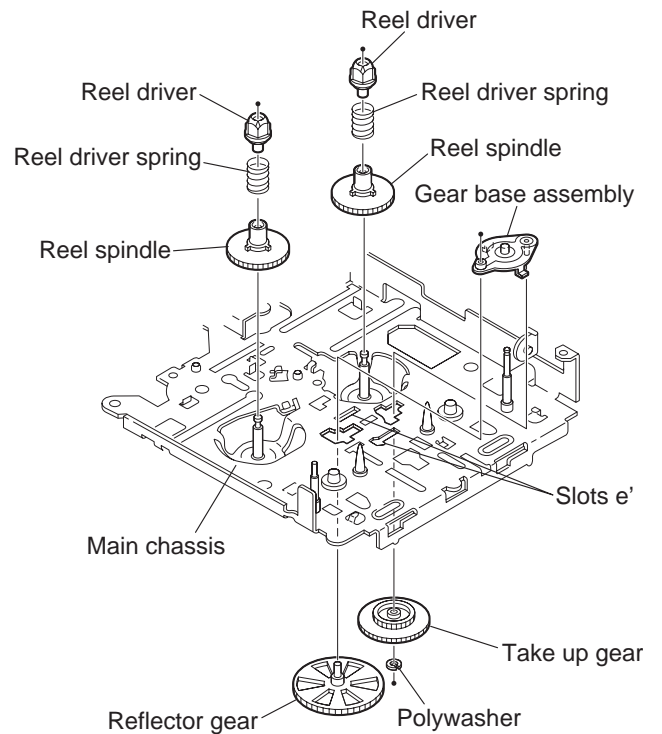


Fig.32

**3.2.21 Removing the side bracket assembly
(See Fig.33 to 37)**

- (1) Remove the eject cam plate spring.
- (2) Push the joint f' through the slot to remove the load rack downward.
- (3) Move the eject cam limiter in the direction of the arrow to release it from the boss g' of the side bracket assembly and from the two joints h'.
- (4) Move the eject cam plate in the direction of the arrow to release the joint i'.

CAUTION:

When reassembling, confirm operation of each part before reattaching the eject cam plate spring.

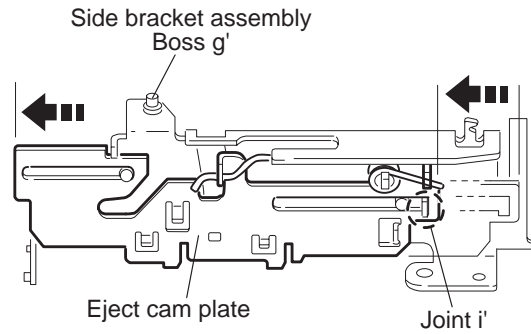


Fig.36

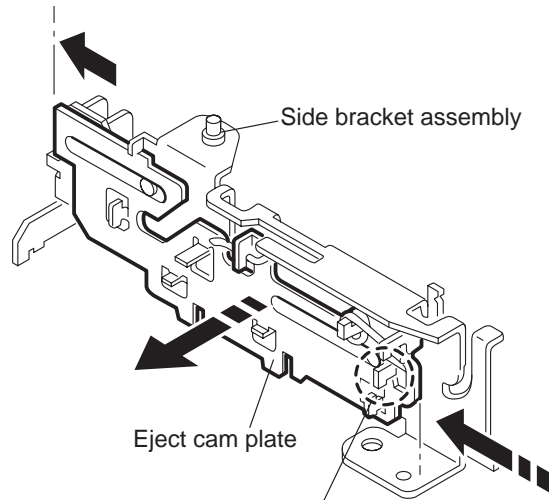


Fig.37

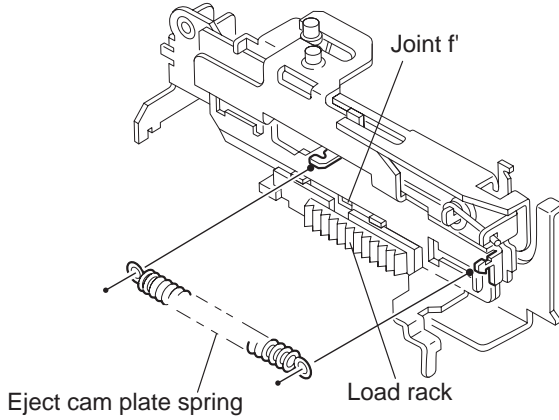


Fig.33

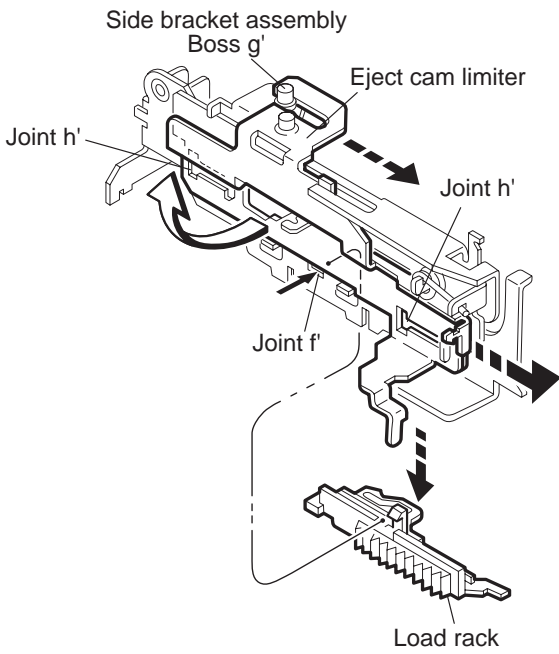


Fig.34

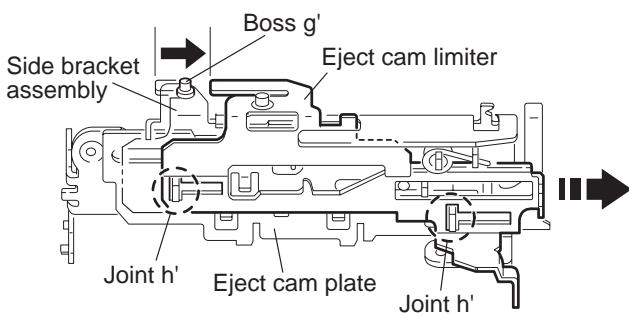


Fig.35

3.2.22 Removing the main motor assembly / sub motor assembly
(See Fig.38 to 40)

- (1) Remove the belt at the bottom.
- (2) Remove the polywasher and pull out the mode gear.
- (3) Pull out the reduction gear **(B)**.
- (4) Remove the polywasher and pull out the reduction gear **(A)**.
- (5) Remove the two screws attaching the main motor assembly.
- (6) Remove the two screws **E** attaching the sub motor assembly.
- (7) Unsolder the wires on the reel board if necessary.

CAUTION:

When reassembling, adjust the length of the wires extending from the sub motor assembly by attaching them to the side of the sub motor assembly with the wires extending from the main motor assembly using a spacer.

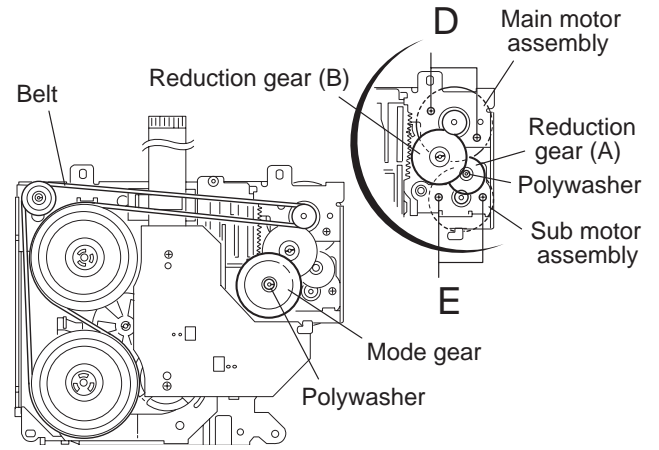


Fig.38

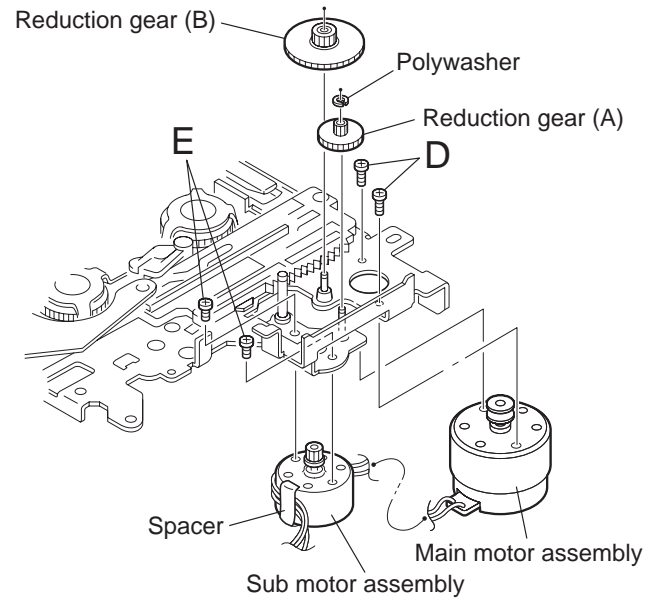


Fig.39

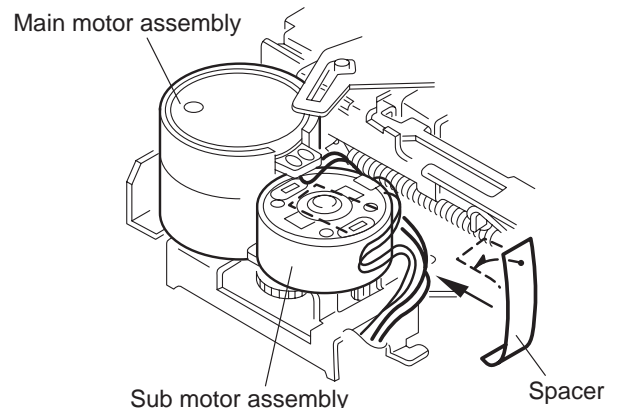


Fig.40

■ Information for using a car audio service jig

- (1) We're advancing efforts to make our extension cords common for all car audio products.
Please use this type of extension cord as follows.
- (2) As a U-shape type top cover is employed, this type of extension cord is needed to check operation of the mechanism assembly after disassembly.
- (3) Extension cord : EXTKSRT002-18P (18 pin extension cord) For connection between mechanism assembly and main board.
- (4) Check for mechanism driving section such as motor ,etc.

■ Disassembly method

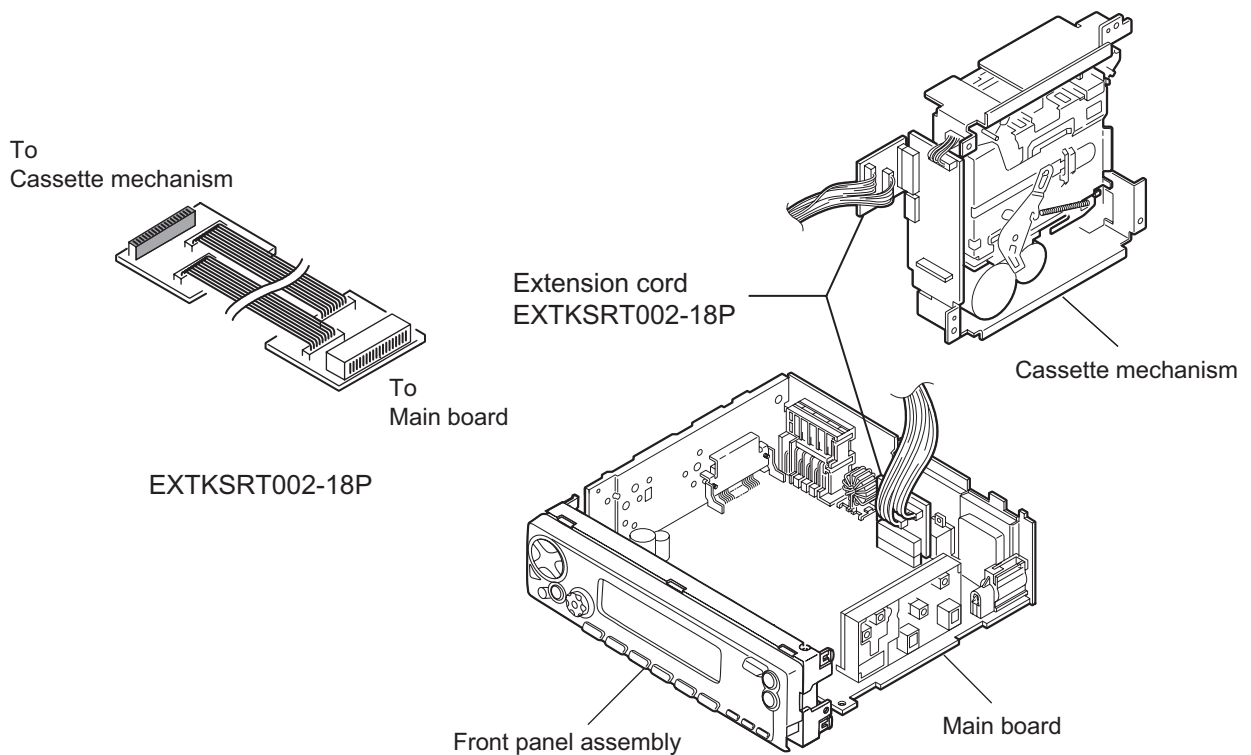
- (1) Remove the front panel assembly.
- (2) Remove the bottom cover.
- (3) Remove the front chassis.
- (4) Remove the heat sink.
- (5) Remove the rear panel
- (6) Remove the main board.
- (7) Reattach the heat sink with the two screws B. (Refer to Disassembly method.)
- (8) Reattach the rear panel with the screw E. (Refer to Disassembly method.)
- (9) Reattach the front panel assembly.
- (10) Confirm that current is being carried by connecting an extension cord jig.

NOTE:

Available to connect to the [CJ601](#) connector when installing the front panel.

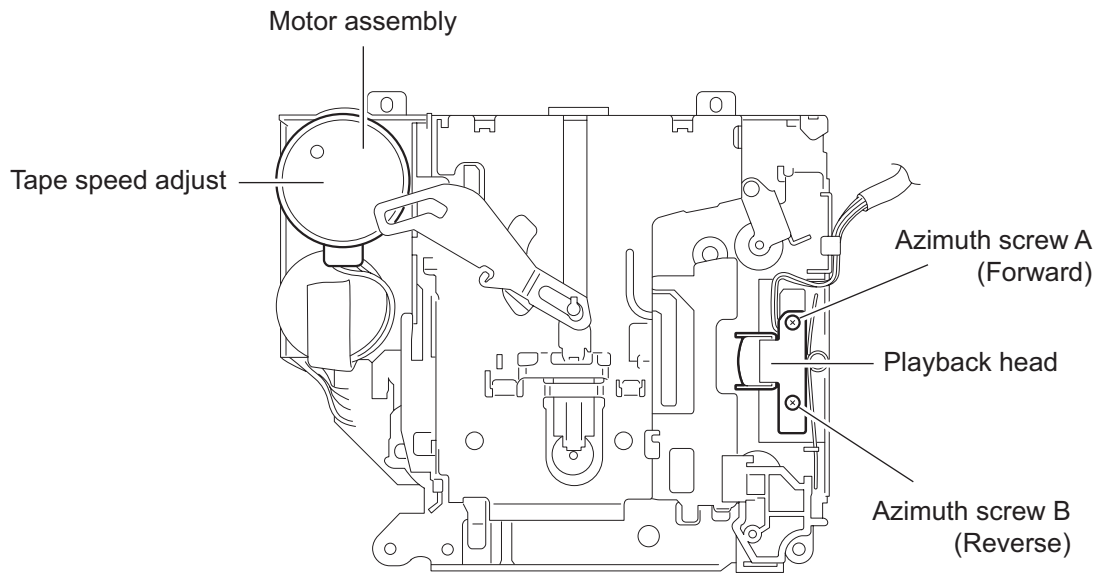
CAUTION :

Be sure to attach the heat sink and rear panel on the power amplifier IC and regulator IC of a main board when supplying the power.If voltage is applied without attaching those parts, the power amplifier IC and regulator IC will be destroyed by heat.

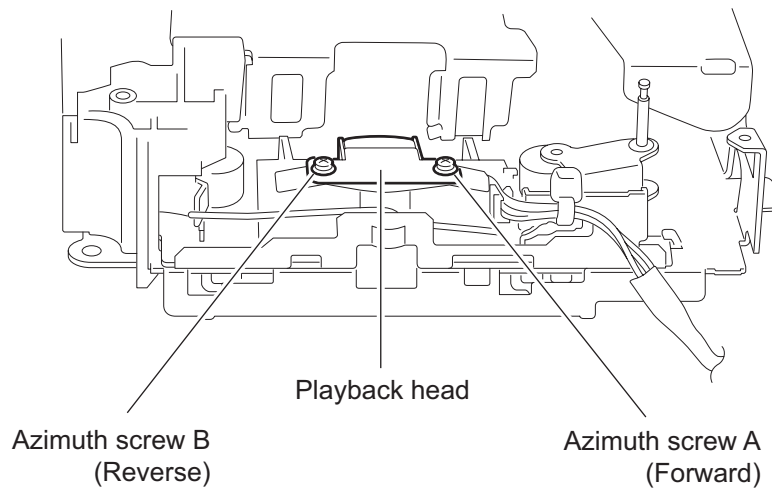


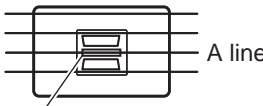
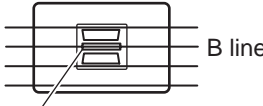
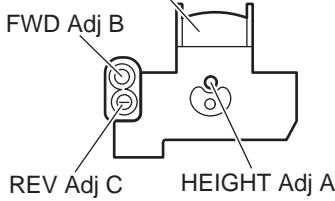
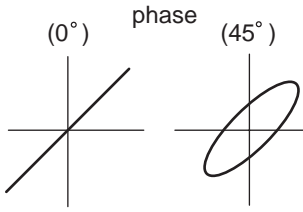
■ Arrangement of adjusting & test points

Cassette mechanism
(Surface)



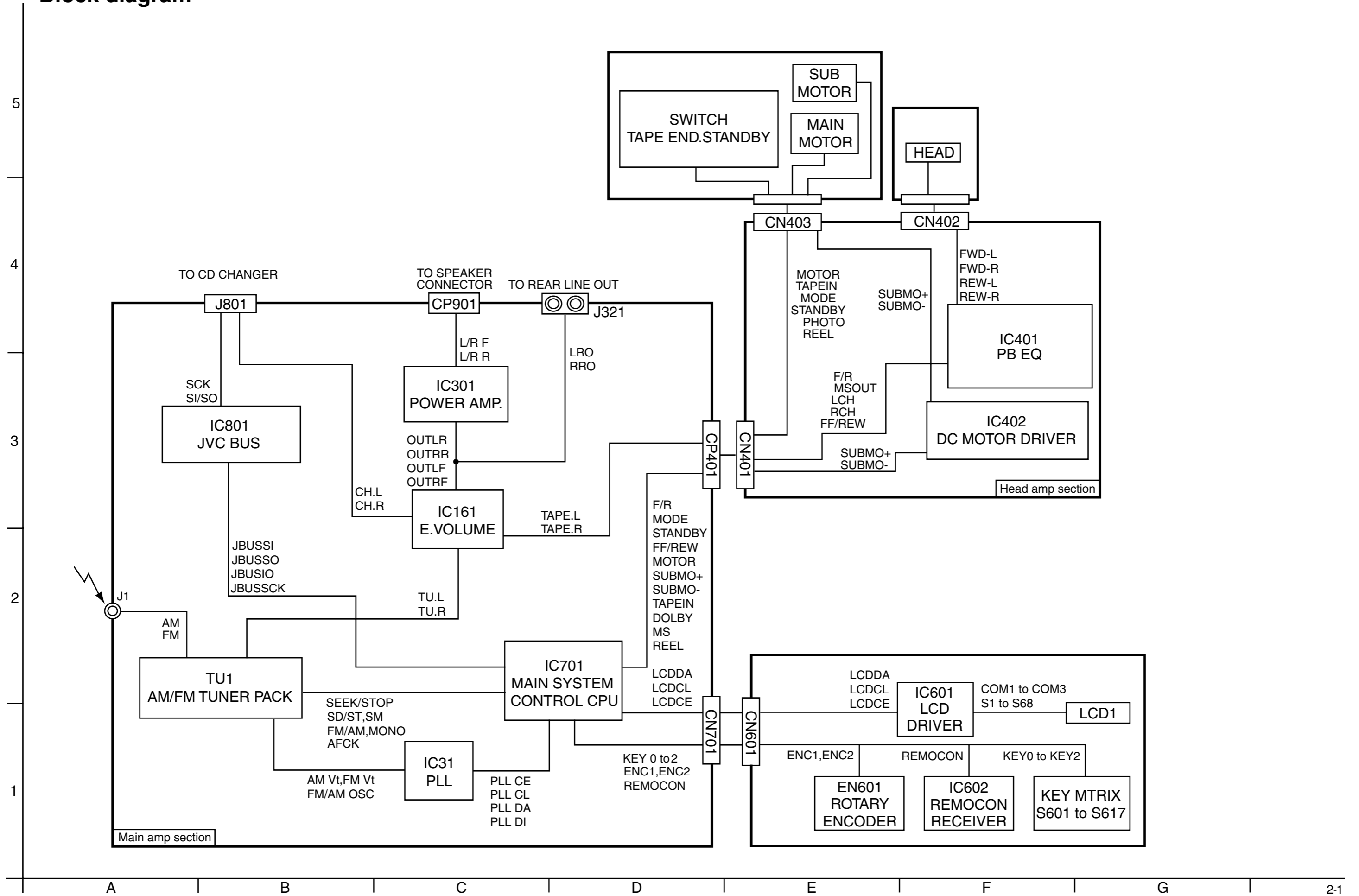
Head section view



Item	Conditions	Adjustment and Confirmation methods	S.Values	Adjust
1. Head azimuth adjustment	Test tape: SCC-1659 VT703 (10kHz)	<p>◆Head height adjustment</p> <p>Adjust the azimuth directly. When you adjust the height using a mirror tape, remove the cassette housing from the mechanism chassis. After installing the cassette housing, perform the azimuth adjustment.</p> <p>(1) Load the SCC-1659 mirror tape. Adjust with height adjustment screw A and azimuth adjustment screw B so that line A of the mirror tape runs in the center between Lch and Rch in the reverse play mode.</p> <p>(2) After switching from REV to FWD then to REV, check that the head position set in procedure 1 is not changed. (If the position has shifted, adjust again and check.)</p> <p>(3) Adjust with azimuth adjustment screw B so that line B of the mirror tape runs in the center between Lch and Rch in the forward play mode.</p>	 <p>Head shield The head is at low position during.</p>  <p>Head shield The head is at High position during REV.</p>	
	Test tape: VT724 (1kHz) VT703 (10kHz) VT721 (315Hz)	<p>◆Head azimuth adjustment</p> <p>(1) Load VT724 (1kHz) and play it back in the reverse play mode. Set the Rch output level to max.</p> <p>(2) Load VT703 (10kHz) and play it back in the forward play mode. Adjust the Rch and Lch output levels to max, with azimuth adjustment screw B. In this case, the phase difference should be within 45°.</p> <p>(3) Engage the reverse mode and adjust the output level to max, with azimuth adjustment screw C. (The phase difference should be 45° or more.)</p> <p>(4) When switching between forward and reverse modes, the difference between channels should be within 3dB. (Between FWD L and R, REV L and R.)</p> <p>(5) When VT721 (315Hz) is played back, the level difference between channels should be within 1.5dB.</p>	<p>Output level: Maximum</p>  <p>REV Adj C HEIGHT Adj A</p> <p>phase</p>  <p>(0°) (45°)</p>	
2. Tape speed and wow flutter confirmation	Test tape: VT712 (3kHz)	<p>(1) Check to see if the reading of the F, counter / wow flutter meter is within 3015Hz to 3045Hz (FWD/REV), and less than 0.35% (JIS RMS).</p> <p>(2) In case of out of specification, adjust the motor with a built-in volume resistor.</p>	Tape speed: 3015Hz to 3045Hz Wow flutter: less than 0.35%	Built-in volume resistor
3. Play back frequency response confirmation	Test tape: VT724 (1kHz) VT739 (63Hz / 1kHz / 10kHz)	<p>(1) Play test tape VT724, and set the volume position at 2V.</p> <p>(2) Play test tape VT739 and confirm. 1kHz / 10kHz: -1 ±3dB, 1kHz / 63Hz: 0 ±3dB,</p> <p>(3) When 10kHz is out of specification, it will be necessary to read adjust the azimuth.</p>	Speaker out 1kHz / 63Hz: 0 ±3dB 1kHz / 10kHz: -1 ±3dB	

The tuner section is of an adjustment-free design. In case the tuner is in trouble, replace the tuner pack.

Block diagram

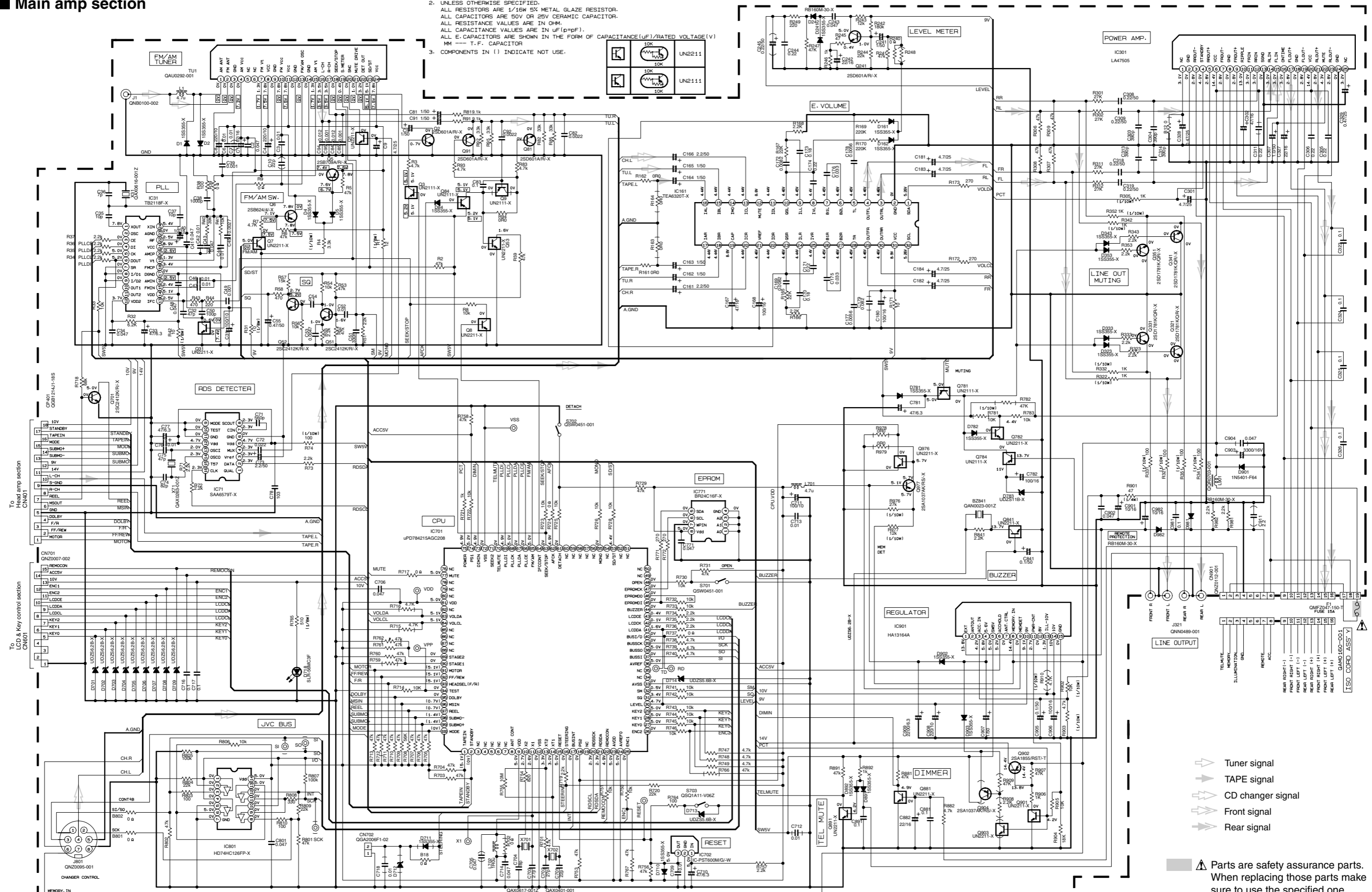


Standard schematic diagrams

Main amp section

- NOTES
1. VOLTAGES ARE DC-MEASURED WITH A DIGITAL VOLT METER WITHOUT INPUT SIGNAL CONDITION---FM MODE. □ AM MODE. () CASSETTE MODE.
 2. UNLESS OTHERWISE SPECIFIED, ALL RESISTORS ARE 1/16W 5% METAL GLAZE RESISTOR. ALL CAPACITORS ARE 50V OR 25V CERAMIC CAPACITOR. ALL RESISTANCE VALUES ARE IN OHM. ALL CAPACITANCE VALUES ARE IN uF (uF). ALL CAPACITORS ARE SHOWN IN THE FORM OF CAPACITANCE(uF)/RATED VOLTAGE(V) MM --- T.F. CAPACITOR
 3. COMPONENTS IN () INDICATE NOT USE.

5
4
3
2
1



- ➔ Tuner signal
- ➔ TAPE signal
- ➔ CD changer signal
- ➔ Front signal
- ➔ Rear signal

⚠ Parts are safety assurance parts. When replacing those parts make sure to use the specified one.

■ LCD & Key control section

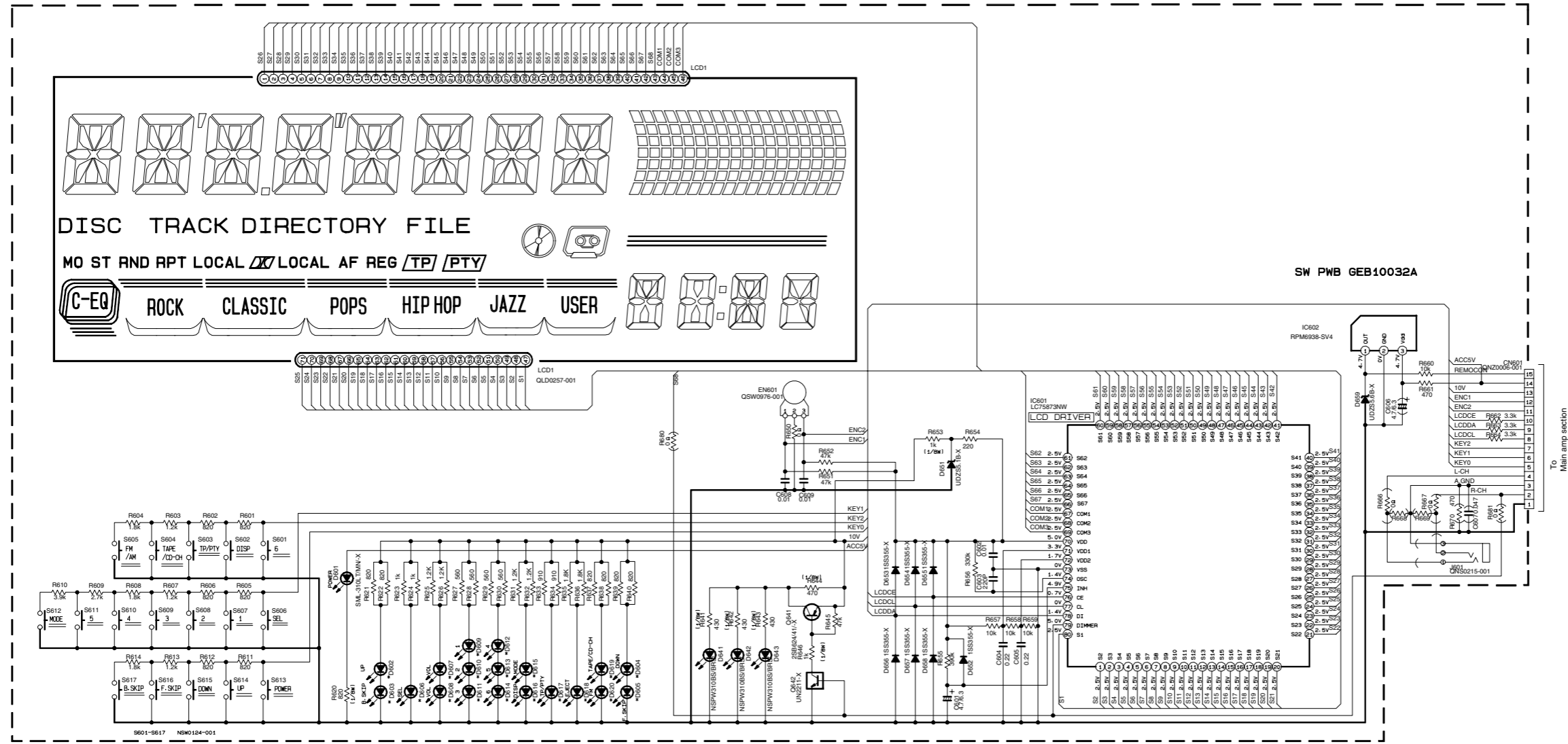
5

4

3

2

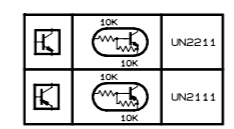
1



D602-D616	SML-310VT/1K/-X
D618-D620	
D617	LNJ90881/1-3/X

NOTES

- VOLTAGES ARE DC-MEASURED WITH A DIGITAL VOLT METER WITHOUT INPUT SIGNAL CONDITION—CD MODE.
- UNLESS OTHERWISE SPECIFIED.
ALL RESISTORS ARE 1/10W ±5% METAL GLAZE RESISTOR.
ALL CAPACITORS ARE 50V OR 25V CERAMIC CAPACITOR.
ALL RESISTANCE VALUES ARE IN OHM.
ALL CAPACITANCE VALUES ARE IN UF (p=PF).
ALL E. CAPACITORS ARE SHOWN IN THE FORM OF CAPACITANCE(UF)/RATED VOLTAGE(V)



A

B

C

D

E

F

G

Head amp section

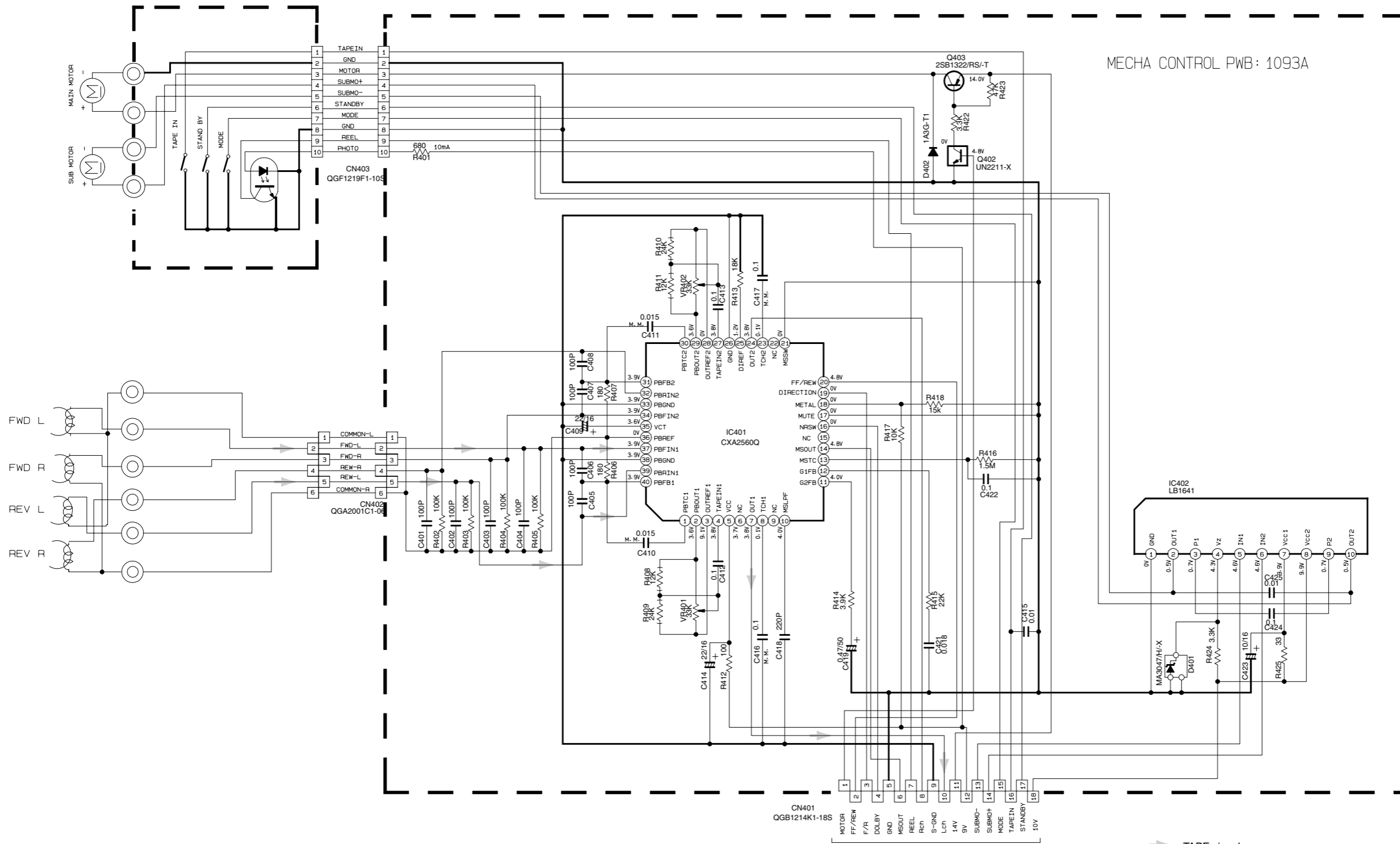
5

4

3

2

1



MECHA CONTROL PWB: 1093A

- NOTES
- VOLTAGES ARE DC-MEASURED WITH A DIGITAL VOLT METER WITHOUT INPUT SIGNAL. CONDITION---TAPE MODE.
 - UNLESS OTHERWISE SPECIFIED.
 - ALL RESISTORS ARE 1/10W ±5% OR 1/16W ±5% METAL GLAZE RESISTORS
 - ALL CAPACITORS ARE 50V CERAMIC CAPACITOR.
 - ALL RESISTANCE VALUES ARE IN OHM(Ω).
 - ALL CAPACITANCE VALUES ARE IN *F(P=pF).
 - ALL E.CAPACITORS ARE SHOWN IN THE FORM OF CAPACITANCE(*F)/RATED VOLTAGE(V)
 - M.M. -- M.M. CAPACITOR

	10K	UN2211
	10K	UN2211

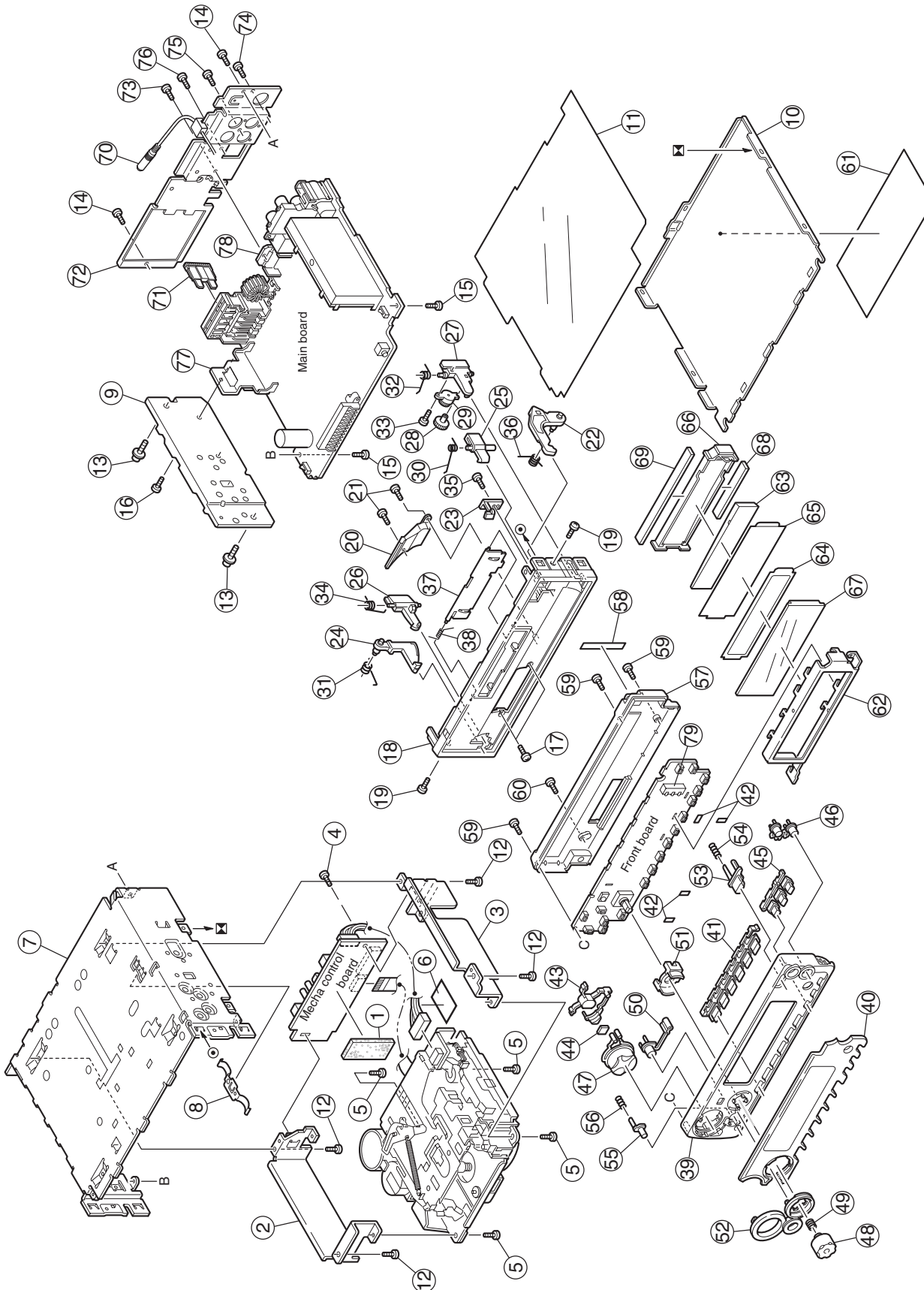
→ TAPE signal

To Main amp section CP401

Exploded view of general assembly and parts list

Block No.

M	1	M	M
---	---	---	---



General Assembly

Block No. [M][1][M][M]

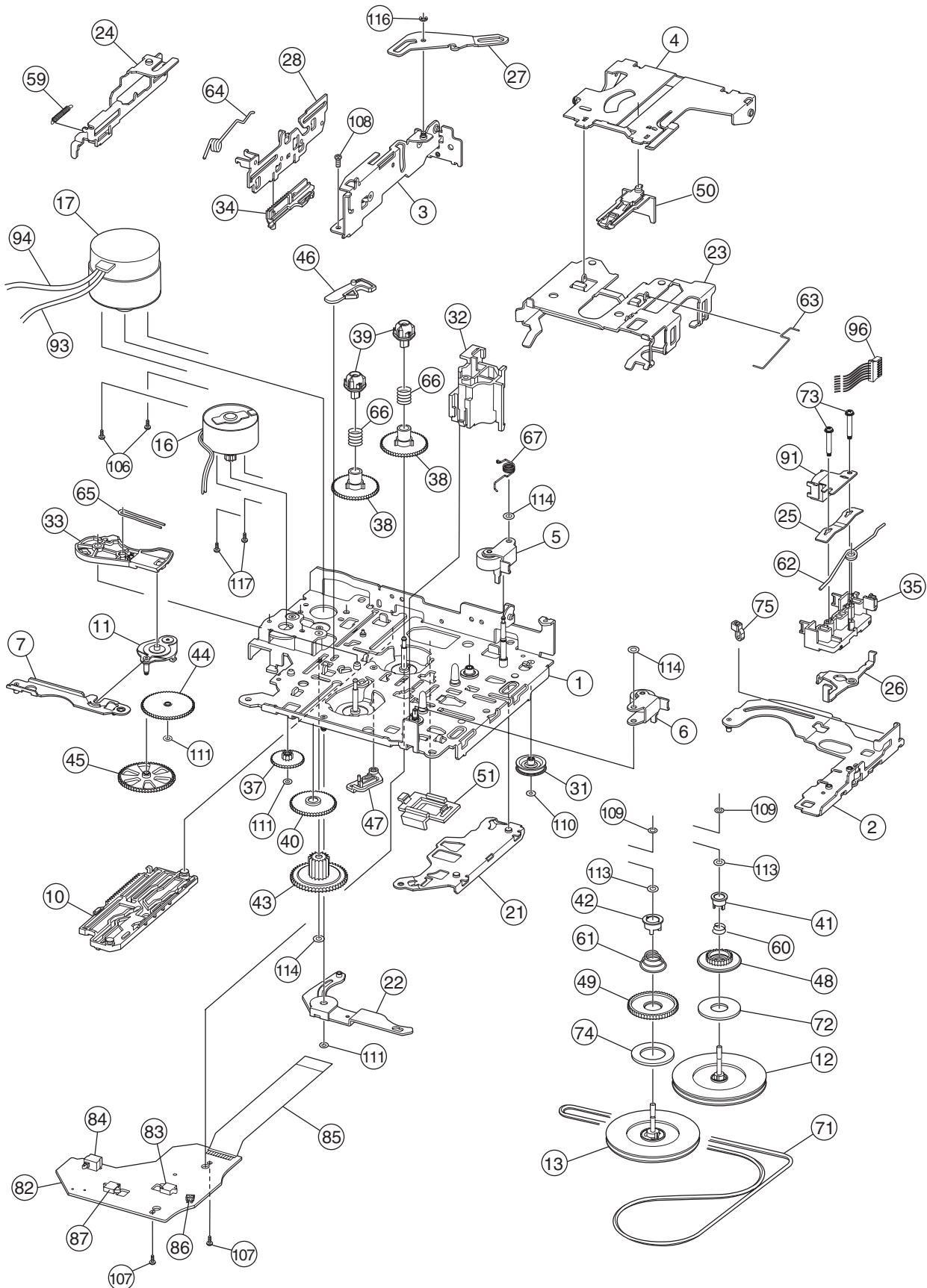
△ Symbol No.	Part No.	Part Name	Description	Local
1	FSYH4036-050	SPECER		
2	GE20136-001A	MECHA BKT(L)		
3	FSKL2002-002	MECHA BKT(R)		
4	QYSDST2606Z	SCREW	2.6mm x 6mm	
5	QYSDST2606Z	SCREW	2.6mm x 6mm(x4)	
6	LV40847-002A	SPECER		
7	GE10043-011A	TOP CHASIS		
8	GE40135-001A	EARTH PLATE		
9	GE30938-003A	SIDE PANEL		
10	GE30393-001A	BOTTOM COVER		
11	FSMA3005-001	INSULATOR		
12	QYSDST2604Z	SCREW	2.6mm x 4mm(x4)	
13	FSKZ4005-001	SCREW	(x2)	
14	QYSDST2604Z	SCREW	2.6mm x 4mm(x2)	
15	QYSDST2606Z	SCREW	2.6mm x 6mm(x2)	
16	QYSDST2610Z	SCREW	2.6mm x 10mm	
17	QYSDSF2006M	SCREW	2mm x 6mm(x2)	
18	GE10064-001A	FRONT CHASSIS		
19	QYSDST2004M	MINI SCREW	2mm x 4mm(x2)	
20	VJK3707-001	LIGHT LENS		
21	QYSPSGU1745N	MINI SCREW	1.7mm x 4.5mm(x2)	
22	GE30378-002A	OPEN LEVER		
23	FSKS3015-001	LOCK LEVER(O.L)		
24	VKS3798-002	RELEASE LEVER		
25	GE30379-001A	LOCK LEVER(TOP)		
26	VKS3794-003	LOCK LEVER(L)		
27	VKS3795-002	LOCK LEVER(R)		
28	VKS5563-001	GEAR		
29	VKZ4786-002	OIL DAMPER		
30	FSKW4012-001	T.SPRING		
31	GE40144-003A	T.SPRING		
32	VKW5262-001	T.SPRING		
33	QYSDSF2006M	SCREW	2mm x 6mm	
34	VKW5263-002	T.SPRING		
35	VKZ4777-001	MINI SCREW		
36	GE40164-001A	T.SPRING		
37	FSJC3014-001	CASS LID		
38	VKW4947-002	DOOR SPRING		
39	GE10041-008A	FRONT PANEL		
40	GE30369-024A	FINDER ASSY		
41	GE20104-004A	PRESET BUTTON		
42	FSYH4036-069	SHEET	(x4)	
43	GE30535-001A	POWER BUTTON		
44	FSYH4036-074	SHEET		
45	GE30374-002A	SND FUNC BTN		
46	GE30370-004A	D.FUNC BUTTON		
47	GE30371-005A	NAVIGATION BTN		
48	GE30372-002A	VOL KNOB		
49	GE40127-001A	KNOB SPRING		
50	GE40129-004A	SEL BUTTON		
51	GE30373-001A	RIM LENS		
52	GE20148-001A	RIM COVER		
53	GE40128-001A	EJECT BUTTON		
54	VKW3001-330	COMP.SPRING		
55	GE30116-001A	DETACH BUTTON		
56	VKW3001-330	COMP.SPRING		
57	GE10042-001A	REAR COVER		
58	FSYH4036-078	SHEET		
59	VKZ4777-001	MINI SCREW	(x3)	
60	VKZ4777-001	MINI SCREW		
61	GE30684-001A	NAME PLATE		
62	GE30375-001A	LCD CASE		
63	FSJK3028-001	LCD LENS		
64	FSYH4061-001	LIGHTING SHEET		
65	FSYH4061-002	LIGHTING SHEET		
66	FSKS3013-001	LENS CASE		
67	QLD0257-001	LCD MODULE		
68	QNZ0450-001	LCD CONNECTOR		
69	QNZ0449-001	LCD CONNECTOR		
70	QAM0464-001	STEERING REMOTE		
△ 71	QMFZ047-150-T	FUSE	15A	
72	GE30912-001A	REAR BRACKET		
73	QYSDST2606Z	SCREW	2.6mm x 6mm	

△ Symbol No.	Part No.	Part Name	Description	Local
74	QYSDST2606Z	SCREW	2.6mm x 6mm	
75	QYSDSF2606Z	SCREW	2.6mm x 6mm	
76	QYSDST2606Z	SCREW	2.6mm x 6mm	
77	GE40172-002A	IC BRACKET		
78	GE40124-001A	REG BRACKET		
79	FSKS3017-002	LED HOLDER		

Cassette mechanism assembly and parts list

CDS-802JE3

Block No. M P M M



Cassette mechanism

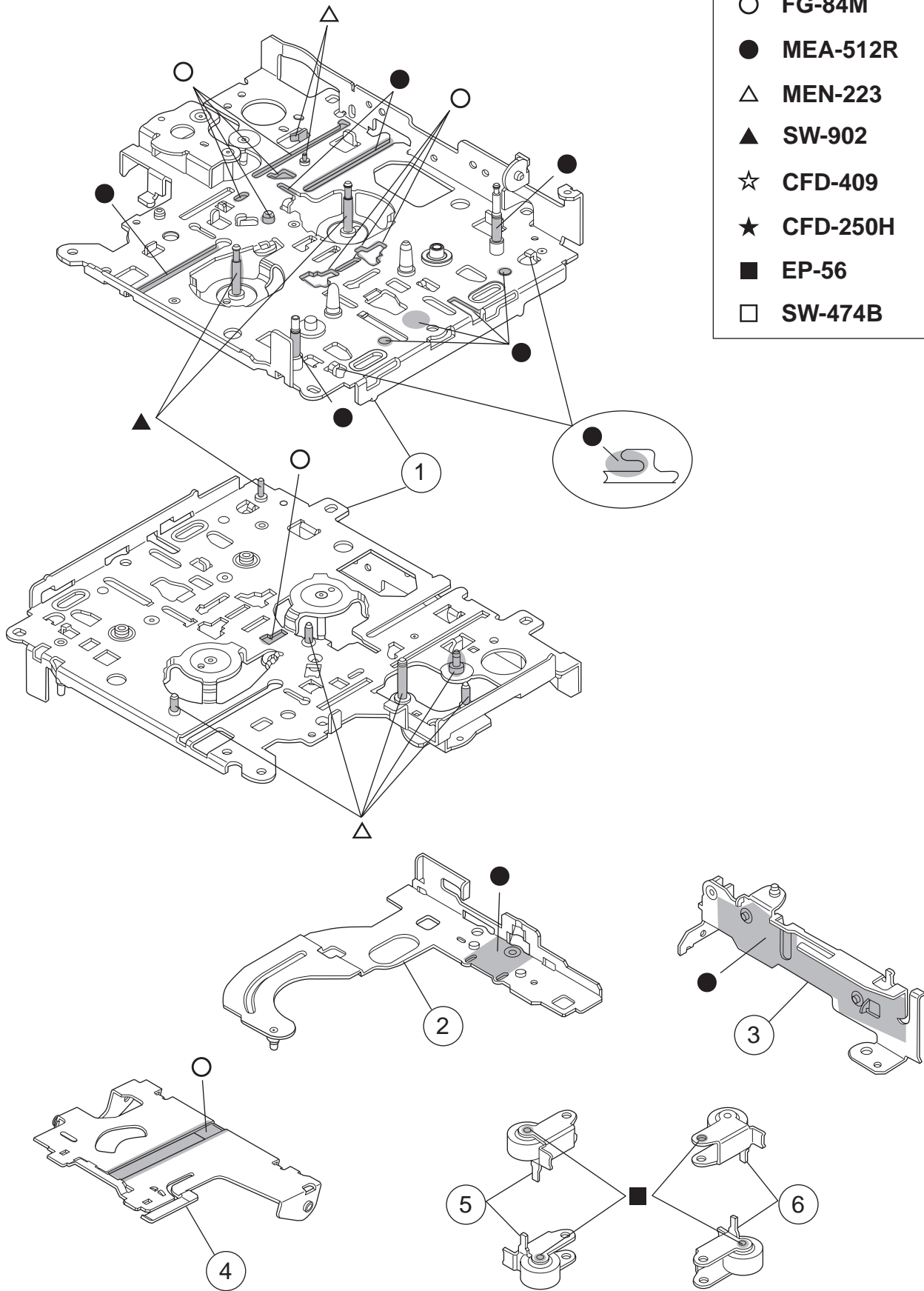
Block No. [M][P][M][M]

△ Symbol No.	Part No.	Part Name	Description	Local
1	X-0802-1009S	MAIN CHASSIS AS		
2	X-0802-1002S	SLIDE CHASSIS A		
3	X-0802-1003S	SIDE BKT ASSY		
4	X-0802-1004S	CASSETTE HANGER		
5	X-0802-1005S	PINCH ARM F ASS		
6	X-0802-1006S	PINCH ARM R ASS		
7	X-0802-1007S	GEARBASE LINK A		
10	X-0802-2001S	MODE RACK ASSY		
11	X-0802-2002S	GEAR BASE ASSY		
12	1-0802-6001S	FLYWHEEL ASSY F		
13	1-0802-6002S	FLYWHEEL ASSY R		
16	X-0802-7002S	SUB MOTOR ASSY		
17	X-0802-7004S	MAIN MOTOR ASSY		
21	1-0802-1002S	DIRECTION PLATE		
22	1-0802-1005S	DIRECTION LINK		
23	1-0802-1006S	CASSETTE HOLDER		
24	1-0802-1011S	EJECT CAM LIMIT		
25	1-0802-1012S	HEAD SUPT SPG		
26	1-0802-1013S	PINCH SPG ARM		
27	1-0802-1014S	LOAD ARM		
28	1-0802-1015S	EJECT CAM PLATE		
31	1-0101-2056S	IDLE PULLEY(A1)		
32	1-0802-2001S	CASSETTE GUIDE		
33	1-0802-2004S	GEAR BASE ARM		
34	1-0802-2006S	LOAD RACK		
35	1-0802-2007S	TAPE GUIDE		
37	1-0802-2009S	REDUCTION GEARA		
38	1-0802-2010S	REEL SPINDLE	(x2)	
39	1-0802-2011S	REEL DRIVER	(x2)	
40	1-0802-2012S	REDUCTION GEARB		
41	1-0802-2013S	SPG HOLDER F		
42	1-0802-2014S	SPG HOLDER R		
43	1-0802-2015S	MODE GEAR		
44	1-0802-2016S	TAKE UP GEAR		
45	1-0802-2017S	REFLECTOR GEAR		
46	1-0802-2018S	RACK LINK		
47	1-0802-2019S	MODE SW ACTUATR		
48	1-0802-2020S	FRICITION GEARPL		
49	1-0802-2021S	FRICITION GEARFF		
50	1-0802-2022S	CASSETTE CATCH		
51	1-0802-2026S	FFC PAD		
59	1-0802-4001S	EJECT CAM PL SP		
60	1-0802-4002S	TU SPG		
61	1-0802-4003S	FF SPG		
62	1-0802-4004S	PINCH ARM SPG		
63	1-0802-4005S	HOLDER STAB SPG		
64	1-0802-4006S	HOLDER CUSH SPG		
65	1-0802-4007S	GEAR BASE SPG		
66	1-0802-4008S	REEL DRIVER SPG	(x2)	
67	1-0802-4013S	COMPULSION SPG		
71	1-0802-5001S	BELT		
72	1-0802-5002S	FELT 7.5*18.5*1		
73	1-0802-5003S	AZIMUTH SCREW	(x2)	
74	1-0802-5004S	FELT 11*18.5*1		
75	1-0050-5023S	WTRE CLAMPER		
82	1-0802-7001S	REEL PCB DL		
83	1-0802-7010S	SW(MATSUCHITA ESE22)		
84	1-0802-7003S	SW(MICMPU11750)		
85	1-0802-7016S	FLAT CABLE 10P		
86	1-0801-7024S	PHOTO SENSOR		
87	1-0802-7009S	SW(MICMPU12370)		
91	1-0802-7007S	HEAD(MITSUMI P-5344)		
93	1-0801-7009-0S	M.MOTOR WIRE B		
94	1-0801-7009-1S	M.MOTOR WIRE R		
96	1-0802-7017S	JOINT WIRE ASSY		
106	2-1032-0025-C2S	SCREW	(x2)	
107	2-13S2-0025-P2S	+PLAIN SCR M2	(x2)	
108	2-1112-6035-C2S	+PLAIN SCR M2.6		
109	2-1816-0032-E8S	MYLAR WASHER(S)	(x2)	
110	2-1812-0032-D2S	PSW-S 1.2		
111	1-0036-5024S	PSW(REEL)	(x3)	
113	2-1821-0040-D1S	POLY WASHER	(x2)	

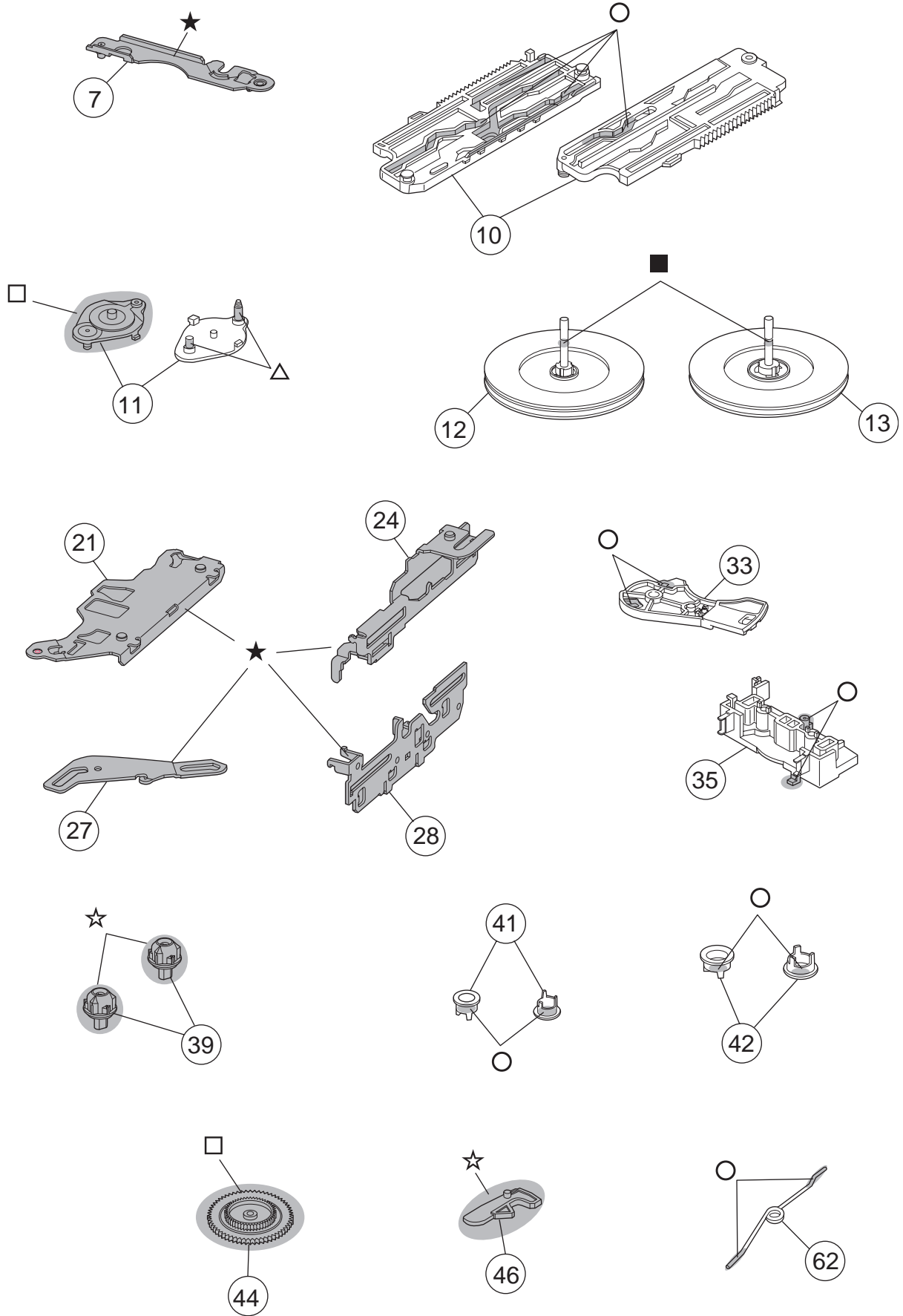
△ Symbol No.	Part No.	Part Name	Description	Local
114	2-1821-0040-D2S	PSW-S 2.1	(x3)	
116	2-1711-5040-16S	E RING		
117	2-1031-7030-C2S	SCREW	(x2)	

Grease point 1/2

- FG-84M
- MEA-512R
- △ MEN-223
- ▲ SW-902
- ☆ CFD-409
- ★ CFD-250H
- EP-56
- SW-474B



Grease point 2/2



Electrical parts list

Main board

Block No. [0][1][0][0]

△ Symbol No.	Part No.	Part Name	Description	Local
IC31	TB2118F-X	PLL IC	PLL	
IC71	SAA6579T-X	IC	RDS detector	
IC161	TEA6320T-X	IC	E.volume	
IC301	LA47505	IC	Power amp.	
IC701	UPD784215AGC208	IC		
IC702	IC-PST600M/G/-W	IC		
IC771	BR24L16F-W-X	IC	EEPROM	
IC801	HD74HC126FP-X	IC	Buffer	
IC901	HA13164A	IC	Regulator	
Q1	UN2211-X	TRANSISTOR		
Q2	2SD601A/R/-X	TRANSISTOR		
Q3	UN2111-X	TRANSISTOR		
Q5	2SB709A/R/-X	TRANSISTOR		
Q6	2SB624/4/-X	TRANSISTOR		
Q7	UN2211-X	TRANSISTOR		
Q8	UN2211-X	TRANSISTOR		
Q31	UN2211-X	TRANSISTOR		
Q51	2SC2412K/R/-X	TRANSISTOR		
Q52	2SC2412K/R/-X	TRANSISTOR		
Q53	UN2211-X	TRANSISTOR		
Q81	2SD601A/R/-X	TRANSISTOR		
Q84	UN2111-X	TRANSISTOR		
Q91	2SD601A/R/-X	TRANSISTOR		
Q241	2SD601A/R/-X	TRANSISTOR		
Q321	2SD1781K/QR/-X	TRANSISTOR		
Q331	2SD1781K/QR/-X	TRANSISTOR		
Q341	2SD1781K/QR/-X	TRANSISTOR		
Q351	2SD1781K/QR/-X	TRANSISTOR		
Q701	2SC2412K/R/-X	TRANSISTOR		
Q781	UN2111-X	TRANSISTOR		
Q782	UN2211-X	TRANSISTOR		
Q784	UN2111-X	TRANSISTOR		
Q841	UN2211-X	TRANSISTOR		
Q881	UN2211-X	TRANSISTOR		
Q891	UN2211-X	TRANSISTOR		
Q901	UN2211-X	TRANSISTOR		
Q902	2SA1855/RST/-T	TRANSISTOR		
Q976	UN2211-X	TRANSISTOR		
Q977	2SA1037AK/RS/-X	TRANSISTOR		
D1	1SS355-X	SI DIODE		
D2	1SS355-X	SI DIODE		
D4	1SS355-X	SI DIODE		
D5	1SS355-X	SI DIODE		
D84	1SS355-X	SI DIODE		
D161	1SS355-X	SI DIODE		
D162	1SS355-X	SI DIODE		
D241	1SS355-X	SI DIODE		
D242	RB160M-30-X	SB DIODE		
D323	1SS355-X	SI DIODE		
D333	1SS355-X	SI DIODE		
D343	1SS355-X	SI DIODE		
D353	1SS355-X	SI DIODE		
D701	UDZS6.2B-X	Z DIODE		
D702	UDZS6.2B-X	Z DIODE		
D703	UDZS6.2B-X	Z DIODE		
D704	UDZS6.2B-X	Z DIODE		
D705	UDZS6.2B-X	Z DIODE		
D706	UDZS6.2B-X	Z DIODE		
D707	UDZS6.2B-X	Z DIODE		
D708	UDZS6.2B-X	Z DIODE		
D709	UDZS6.2B-X	Z DIODE		
D710	1SS355-X	SI DIODE		
D713	UDZS5.6B-X	Z DIODE	1.5kΩ 1/10W J	
D714	UDZS5.6B-X	Z DIODE	1.5kΩ 1/10W J	
D718	SLR-56MC3F	LED		
D781	1SS355-X	SI DIODE		
D782	1SS355-X	SI DIODE		
D783	UDZS11B-X	Z DIODE		
D891	1SS355-X	SI DIODE		
D892	1SS355-X	SI DIODE		

△ Symbol No.	Part No.	Part Name	Description	Local
D901	1N5401-F64	DIODE		
D902	1SS355-X	SI DIODE		
D903	1SS355-X	SI DIODE		
D981	RB160M-30-X	SB DIODE		
D982	RB160M-30-X	SB DIODE		
C1	QERF1CM-226Z	E CAPACITOR	22uF 16V M	
C2	NCB31EK-473X	C CAPACITOR	0.047uF 25V K	
C3	NCB31EK-103X	C CAPACITOR	0.01uF 25V K	
C4	QERF1AM-227Z	E CAPACITOR	220uF 10V M	
C5	QERF1HM-105Z	E CAPACITOR	1uF 50V M	
C6	NCB31HK-103X	C CAPACITOR	0.01uF 50V K	
C8	QERF1AM-227Z	E CAPACITOR	220uF 10V M	
C9	QERF1EM-475Z	E CAPACITOR	4.7uF 25V M	
C31	QERF1AM-107Z	E CAPACITOR	100uF 10V M	
C32	NCS31HJ-470X	C CAPACITOR	47pF 50V J	
C33	QERF0JM-476Z	E CAPACITOR	47uF 6.3V M	
C34	NCB31EK-473X	C CAPACITOR	0.047uF 25V K	
C35	NDC31HJ-100X	C CAPACITOR	10pF 50V J	
C36	NDC31HJ-7R0X	C CAPACITOR	7pF 50V J	
C37	NDC31HJ-100X	C CAPACITOR	10pF 50V J	
C38	NCB31HK-102X	C CAPACITOR	1000pF 50V K	
C39	NCB31HK-102X	C CAPACITOR	1000pF 50V K	
C40	QERF1CM-106Z	E CAPACITOR	10uF 16V M	
C41	NCB31EK-473X	C CAPACITOR	0.047uF 25V K	
C42	NCB31HK-103X	C CAPACITOR	0.01uF 50V K	
C43	QFV61HJ-473Z	MF CAPACITOR	0.047uF 50V J	
C44	NCB31HK-103X	C CAPACITOR	0.01uF 50V K	
C45	NCB31HK-272X	C CAPACITOR	2700pF 50V K	
C46	NCB31HK-103X	C CAPACITOR	0.01uF 50V K	
C47	NCB31HK-103X	C CAPACITOR	0.01uF 50V K	
C48	NCB31EK-473X	C CAPACITOR	0.047uF 25V K	
C49	NCB31HK-102X	C CAPACITOR	1000pF 50V K	
C50	NCS31HJ-101X	C CAPACITOR	100pF 50V J	
C51	NCS31HJ-331X	C CAPACITOR	330pF 50V J	
C52	NCB31HK-103X	C CAPACITOR	0.01uF 50V K	
C53	NCB31EK-472X	C CAPACITOR	4700pF 25V K	
C54	NCB31EK-104X	C CAPACITOR	0.1uF 25V K	
C55	QERF1HM-474Z	E CAPACITOR	0.47uF 50V M	
C71	NCS31HJ-561X	C CAPACITOR	560pF 50V J	
C72	NCB31EK-223X	C CAPACITOR	0.022uF 25V K	
C73	QERF1HM-225Z	E CAPACITOR	2.2uF 50V M	
C74	NDC31HJ-820X	C CAPACITOR	82pF 50V J	
C75	NDC31HJ-470X	C CAPACITOR	47pF 50V J	
C76	NCB31HK-103X	C CAPACITOR	0.01uF 50V K	
C77	QERF0JM-476Z	E CAPACITOR	47uF 6.3V M	
C78	NCB31HK-103X	C CAPACITOR	0.01uF 50V K	
C81	QERF1HM-105Z	E CAPACITOR	1uF 50V M	
C82	NCB31HK-222X	C CAPACITOR	2200pF 50V K	
C83	NCB31EK-104X	C CAPACITOR	0.1uF 25V K	
C84	NCB31HK-123X	C CAPACITOR	0.012uF 50V K	
C85	NCB31HK-102X	C CAPACITOR	1000pF 50V K	
C91	QERF1HM-105Z	E CAPACITOR	1uF 50V M	
C92	NCB31HK-222X	C CAPACITOR	2200pF 50V K	
C94	NCB31HK-123X	C CAPACITOR	0.012uF 50V K	
C95	NCB31HK-102X	C CAPACITOR	1000pF 50V K	
C161	QERF1HM-225Z	E CAPACITOR	2.2uF 50V M	
C162	QERF1HM-105Z	E CAPACITOR	1uF 50V M	
C163	QERF1HM-105Z	E CAPACITOR	1uF 50V M	
C164	QERF1HM-105Z	E CAPACITOR	1uF 50V M	
C165	QERF1HM-105Z	E CAPACITOR	1uF 50V M	
C166	QERF1HM-225Z	E CAPACITOR	2.2uF 50V M	
C167	QERF1CM-476Z	E CAPACITOR	47uF 16V M	
C168	QERF1CM-107Z	E CAPACITOR	100uF 16V M	
C169	NCB31HK-822X	C CAPACITOR	8200pF 50V K	
C170	NCB21CK-184X	C CAPACITOR	0.18uF 16V K	
C171	NCB21CK-224X	C CAPACITOR	0.22uF 16V K	
C172	NCB31HK-822X	C CAPACITOR	8200pF 50V K	
C173	NCB21CK-184X	C CAPACITOR	0.18uF 16V K	
C174	NCB21CK-224X	C CAPACITOR	0.22uF 16V K	
C175	NCB31EK-333X	C CAPACITOR	0.033uF 25V K	
C176	NCB31EK-333X	C CAPACITOR	0.033uF 25V K	
C177	NCB31HK-562X	C CAPACITOR	5600pF 50V K	
C178	NCB31HK-562X	C CAPACITOR	5600pF 50V K	
C180	QERF1CM-107Z	E CAPACITOR	100uF 16V M	
C181	QERF1EM-475Z	E CAPACITOR	4.7uF 25V M	

△ Symbol No.	Part No.	Part Name	Description	Local	△ Symbol No.	Part No.	Part Name	Description	Local
C182	QERF1EM-475Z	E CAPACITOR	4.7uF 25V M		R42	NRS181J-100X	MG RESISTOR	10Ω 1/8W J	
C183	QERF1EM-475Z	E CAPACITOR	4.7uF 25V M		R43	NRSA63J-471X	MG RESISTOR	470Ω 1/16W J	
C184	QERF1EM-475Z	E CAPACITOR	4.7uF 25V M		R44	NRSA63J-221X	MG RESISTOR	220Ω 1/16W J	
C241	QERF1HM-105Z	E CAPACITOR	1uF 50V M		R51	NRSA63J-223X	MG RESISTOR	22kΩ 1/16W J	
C242	QERF1CM-226Z	E CAPACITOR	22uF 16V M		R52	NRSA63J-473X	MG RESISTOR	47kΩ 1/16W J	
C243	NCB31EK-473X	C CAPACITOR	0.047uF 25V K		R53	NRSA63J-473X	MG RESISTOR	47kΩ 1/16W J	
C244	NCB31AK-224X	C CAPACITOR	0.22uF 10V K		R54	NRSA63J-103X	MG RESISTOR	10kΩ 1/16W J	
C301	QERF1EM-475Z	E CAPACITOR	4.7uF 25V M		R55	NRSA63J-222X	MG RESISTOR	2.2kΩ 1/16W J	
C302	QERF1CM-476Z	E CAPACITOR	47uF 16V M		R56	NRSA63J-103X	MG RESISTOR	10kΩ 1/16W J	
C303	NCS31HJ-391X	C CAPACITOR	390pF 50V J		R57	NRSA63J-153X	MG RESISTOR	15kΩ 1/16W J	
C304	NCS31HJ-391X	C CAPACITOR	390pF 50V J		R58	NRSA63J-471X	MG RESISTOR	470Ω 1/16W J	
C305	NCB21EK-224X	C CAPACITOR	0.22uF 25V K		R59	NRSA63J-473X	MG RESISTOR	47kΩ 1/16W J	
C306	NCB21EK-224X	C CAPACITOR	0.22uF 25V K		R71	NRSA63J-222X	MG RESISTOR	2.2kΩ 1/16W J	
C307	QERF1HM-105Z	E CAPACITOR	1uF 50V M		R72	NRSA63J-222X	MG RESISTOR	2.2kΩ 1/16W J	
C308	QFVD1HJ-224Z	MF CAPACITOR	0.22uF 50V J		R73	NRSA63J-222X	MG RESISTOR	2.2kΩ 1/16W J	
C309	QFVD1HJ-224Z	MF CAPACITOR	0.22uF 50V J		R74	NRSA02J-101X	MG RESISTOR	100Ω 1/10W J	
C313	NCS31HJ-391X	C CAPACITOR	390pF 50V J		R81	NRSA63J-912X	MG RESISTOR	9.1kΩ 1/16W J	
C314	NCS31HJ-391X	C CAPACITOR	390pF 50V J		R82	NRSA63J-333X	MG RESISTOR	33kΩ 1/16W J	
C318	QFVD1HJ-224Z	MF CAPACITOR	0.22uF 50V J		R83	NRSA63J-472X	MG RESISTOR	4.7kΩ 1/16W J	
C319	QFVD1HJ-224Z	MF CAPACITOR	0.22uF 50V J		R85	NRSA63J-333X	MG RESISTOR	33kΩ 1/16W J	
C323	NCB31EK-104X	C CAPACITOR	0.1uF 25V K		R91	NRSA63J-912X	MG RESISTOR	9.1kΩ 1/16W J	
C324	NCB31EK-104X	C CAPACITOR	0.1uF 25V K		R92	NRSA63J-333X	MG RESISTOR	33kΩ 1/16W J	
C325	NCB31EK-104X	C CAPACITOR	0.1uF 25V K		R93	NRSA63J-472X	MG RESISTOR	4.7kΩ 1/16W J	
C326	NCB31EK-104X	C CAPACITOR	0.1uF 25V K		R94	NRSA63J-0R0X	MG RESISTOR	0Ω 1/16W J	
C327	QERF1CM-226Z	E CAPACITOR	22uF 16V M		R95	NRSA63J-333X	MG RESISTOR	33kΩ 1/16W J	
C328	QERF1HM-474Z	E CAPACITOR	0.47uF 50V M		R161	NRSA63J-0R0X	MG RESISTOR	0Ω 1/16W J	
C329	QERF1HM-474Z	E CAPACITOR	0.47uF 50V M		R162	NRSA63J-0R0X	MG RESISTOR	0Ω 1/16W J	
C701	NDC31HJ-220X	C CAPACITOR	22pF 50V J		R165	NRSA63J-223X	MG RESISTOR	22kΩ 1/16W J	
C702	NDC31HJ-270X	C CAPACITOR	27pF 50V J		R166	NRSA63J-222X	MG RESISTOR	2.2kΩ 1/16W J	
C703	NDC31HJ-270X	C CAPACITOR	27pF 50V J		R167	NRSA63J-223X	MG RESISTOR	22kΩ 1/16W J	
C704	NDC31HJ-8R0X	C CAPACITOR	8pF 50V J		R168	NRSA63J-222X	MG RESISTOR	2.2kΩ 1/16W J	
C706	NCB31EK-473X	C CAPACITOR	0.047uF 25V K		R169	NRSA63J-224X	MG RESISTOR	220kΩ 1/16W J	
C709	NCB31HK-103X	C CAPACITOR	0.01uF 50V K		R170	NRSA63J-224X	MG RESISTOR	220kΩ 1/16W J	
C710	QERF0JM-476Z	E CAPACITOR	47uF 6.3V M		R171	NRS181J-100X	MG RESISTOR	10Ω 1/8W J	
C711	QERF1AM-107Z	E CAPACITOR	100uF 10V M		R172	NRSA63J-271X	MG RESISTOR	270Ω 1/16W J	
C713	NCB31HK-103X	C CAPACITOR	0.01uF 50V K		R173	NRSA63J-271X	MG RESISTOR	270Ω 1/16W J	
C714	NCB31EK-473X	C CAPACITOR	0.047uF 25V K		R240	NRSA63J-0R0X	MG RESISTOR	0Ω 1/16W J	
C716	NCB31EK-104X	C CAPACITOR	0.1uF 25V K		R241	NRSA63J-473X	MG RESISTOR	47kΩ 1/16W J	
C717	NCB31EK-104X	C CAPACITOR	0.1uF 25V K		R242	NRSA63J-184X	MG RESISTOR	180kΩ 1/16W J	
C771	NCB31EK-473X	C CAPACITOR	0.047uF 25V K		R243	NRSA63J-123X	MG RESISTOR	12kΩ 1/16W J	
C781	QERF0JM-476Z	E CAPACITOR	47uF 6.3V M		R244	NRSA63J-223X	MG RESISTOR	22kΩ 1/16W J	
C782	QERF1CM-107Z	E CAPACITOR	100uF 16V M		R245	NRSA63J-470X	MG RESISTOR	47Ω 1/16W J	
C801	NCB31EK-473X	C CAPACITOR	0.047uF 25V K		R246	NRSA63J-102X	MG RESISTOR	1kΩ 1/16W J	
C841	QERF1HM-104Z	E CAPACITOR	0.1uF 50V M		R247	NRSA63J-473X	MG RESISTOR	47kΩ 1/16W J	
C881	NCB31EK-104X	C CAPACITOR	0.1uF 25V K		R249	NRSA63J-221X	MG RESISTOR	220Ω 1/16W J	
C882	QERF1CM-226Z	E CAPACITOR	22uF 16V M		R301	NRSA63J-273X	MG RESISTOR	27kΩ 1/16W J	
C891	NCB31EK-104X	C CAPACITOR	0.1uF 25V K		R302	NRSA63J-273X	MG RESISTOR	27kΩ 1/16W J	
C901	QERF1CM-106Z	E CAPACITOR	10uF 16V M		R305	NRSA02J-102X	MG RESISTOR	1kΩ 1/10W J	
C902	NCB31EK-473X	C CAPACITOR	0.047uF 25V K		R306	NRSA63J-473X	MG RESISTOR	47kΩ 1/16W J	
C903	QEZO262-338	E CAPACITOR	3300uF		R307	NRSA63J-473X	MG RESISTOR	47kΩ 1/16W J	
C905	QERF1HM-104Z	E CAPACITOR	0.1uF 50V M		R308	NRSA63J-473X	MG RESISTOR	47kΩ 1/16W J	
C906	QERF1CM-107Z	E CAPACITOR	100uF 16V M		R309	NRSA63J-473X	MG RESISTOR	47kΩ 1/16W J	
C907	QERF1HM-105Z	E CAPACITOR	1uF 50V M		R311	NRSA63J-273X	MG RESISTOR	27kΩ 1/16W J	
C908	QERF1AM-227Z	E CAPACITOR	220uF 10V M		R312	NRSA63J-273X	MG RESISTOR	27kΩ 1/16W J	
C909	QETNOJM-228Z	E CAPACITOR	2200uF 6.3V M		R321	NRSA02J-101X	MG RESISTOR	100Ω 1/10W J	
C981	NCB31EK-104X	C CAPACITOR	0.1uF 25V K		R322	NRSA02J-102X	MG RESISTOR	1kΩ 1/10W J	
C982	QERF1CM-106Z	E CAPACITOR	10uF 16V M		R323	NRSA63J-222X	MG RESISTOR	2.2kΩ 1/16W J	
					R331	NRSA02J-101X	MG RESISTOR	100Ω 1/10W J	
R1	NRS181J-120X	MG RESISTOR	12Ω 1/8W J		R332	NRSA02J-102X	MG RESISTOR	1kΩ 1/10W J	
R2	NRSA63J-473X	MG RESISTOR	47kΩ 1/16W J		R333	NRSA63J-222X	MG RESISTOR	2.2kΩ 1/16W J	
R3	NRSA63J-472X	MG RESISTOR	4.7kΩ 1/16W J		R341	NRSA02J-101X	MG RESISTOR	100Ω 1/10W J	
R4	NRSA02J-332X	MG RESISTOR	3.3kΩ 1/10W J		R342	NRSA02J-102X	MG RESISTOR	1kΩ 1/10W J	
R5	NRSA63J-473X	MG RESISTOR	47kΩ 1/16W J		R343	NRSA63J-222X	MG RESISTOR	2.2kΩ 1/16W J	
R6	NRSA63J-473X	MG RESISTOR	47kΩ 1/16W J		R351	NRSA02J-101X	MG RESISTOR	100Ω 1/10W J	
R7	NRSA63J-472X	MG RESISTOR	4.7kΩ 1/16W J		R352	NRSA02J-102X	MG RESISTOR	1kΩ 1/10W J	
R8	NRSA63J-103X	MG RESISTOR	10kΩ 1/16W J		R353	NRSA63J-222X	MG RESISTOR	2.2kΩ 1/16W J	
R9	NRSA63J-0R0X	MG RESISTOR	0Ω 1/16W J		R701	NRSA63J-473X	MG RESISTOR	47kΩ 1/16W J	
R31	NRS181J-100X	MG RESISTOR	10Ω 1/8W J		R703	NRSA63J-473X	MG RESISTOR	47kΩ 1/16W J	
R32	NRSA63J-622X	MG RESISTOR	6.2kΩ 1/16W J		R704	NRSA63J-473X	MG RESISTOR	47kΩ 1/16W J	
R33	NRSA63J-103X	MG RESISTOR	10kΩ 1/16W J		R705	NRSA63J-473X	MG RESISTOR	47kΩ 1/16W J	
R34	NRSA63J-222X	MG RESISTOR	2.2kΩ 1/16W J		R706	NRSA63J-473X	MG RESISTOR	47kΩ 1/16W J	
R35	NRSA63J-222X	MG RESISTOR	2.2kΩ 1/16W J		R707	NRSA63J-473X	MG RESISTOR	47kΩ 1/16W J	
R36	NRSA63J-222X	MG RESISTOR	2.2kΩ 1/16W J		R708	NRSA63J-563X	MG RESISTOR	56kΩ 1/16W J	
R37	NRSA63J-222X	MG RESISTOR	2.2kΩ 1/16W J		R709	NRSA63J-473X	MG RESISTOR	47kΩ 1/16W J	
R38	NRSA63J-101X	MG RESISTOR	100Ω 1/16W J		R710	NRSA63J-473X	MG RESISTOR	47kΩ 1/16W J	
R39	NRSA63J-0R0X	MG RESISTOR	0Ω 1/16W J		R711	NRSA63J-473X	MG RESISTOR	47kΩ 1/16W J	
R40	NRSA63J-393X	MG RESISTOR	39kΩ 1/16W J		R713	NRSA63J-473X	MG RESISTOR	47kΩ 1/16W J	
R41	NRSA63J-103X	MG RESISTOR	10kΩ 1/16W J		R714	NRSA63J-103X	MG RESISTOR	10kΩ 1/16W J	

△ Symbol No.	Part No.	Part Name	Description	Local	△ Symbol No.	Part No.	Part Name	Description	Local
R717	NRSA63J-0R0X	MG RESISTOR	0Ω 1/16W J		BZ841	QAN0023-001Z	BUZZER		
R718	NRSA02J-683X	MG RESISTOR	68kΩ 1/10W J		CN701	QNZ0007-002	CAR CONNECTOR		
R719	NRSA63J-222X	MG RESISTOR	2.2kΩ 1/16W J		CN702	QGA2006F1-02	CONNECTOR	W-B (1-2)	
R720	NRSA63J-223X	MG RESISTOR	22kΩ 1/16W J		CN901	QNZ0112-001	CAR CONNECTOR		
R721	NRSA63J-102X	MG RESISTOR	1kΩ 1/16W J		CP401	QGB1214J1-18S	CONNECTOR	B-B (1-18)	
R722	NRSA63J-103X	MG RESISTOR	10kΩ 1/16W J		J1	QNB0100-002	CAR ANT JACK		
R723	NRSA63J-103X	MG RESISTOR	10kΩ 1/16W J		J321	QNN0489-001	SURROUND JACK		
R724	NRSA63J-0R0X	MG RESISTOR	0Ω 1/16W J		J801	QNZ0095-001	CONNECTOR		
R725	NRSA63J-103X	MG RESISTOR	10kΩ 1/16W J		PP1	QZW0010-001	STYLE PIN		
R726	NRSA63J-103X	MG RESISTOR	10kΩ 1/16W J		PP2	QZW0010-001	STYLE PIN		
R728	NRSA63J-103X	MG RESISTOR	10kΩ 1/16W J		S701	QSW0451-001	DETECT SW		
R729	NRSA63J-473X	MG RESISTOR	47kΩ 1/16W J		S702	QSW0451-001	DETECT SW		
R730	NRSA63J-103X	MG RESISTOR	10kΩ 1/16W J		S703	QSQ1A11-V06Z	TACT SW I/M		
R731	NRSA63J-473X	MG RESISTOR	47kΩ 1/16W J		TU1	QAU0292-001	TUNER PAC		
R732	NRSA63J-103X	MG RESISTOR	10kΩ 1/16W J		X31	QAX0616-001Z	CRYSTAL	10.250MHz	
R733	NRSA63J-103X	MG RESISTOR	10kΩ 1/16W J		X71	QAX0263-001Z	CRYSTAL	4.332MHz	
R734	NRSA63J-222X	MG RESISTOR	2.2kΩ 1/16W J		X701	QAX0617-001Z	CRYSTAL	12.500MHz	
R735	NRSA63J-222X	MG RESISTOR	2.2kΩ 1/16W J		X702	QAX0401-001	CRYSTAL	32.768KHz	
R736	NRSA63J-222X	MG RESISTOR	2.2kΩ 1/16W J						
R737	NRSA63J-0R0X	MG RESISTOR	0Ω 1/16W J						
R738	NRSA63J-472X	MG RESISTOR	4.7kΩ 1/16W J						
R739	NRSA63J-472X	MG RESISTOR	4.7kΩ 1/16W J						
R740	NRSA63J-472X	MG RESISTOR	4.7kΩ 1/16W J						
R741	NRSA63J-103X	MG RESISTOR	10kΩ 1/16W J						
R742	NRSA63J-103X	MG RESISTOR	10kΩ 1/16W J						
R743	NRSA63J-103X	MG RESISTOR	10kΩ 1/16W J						
R744	NRSA63J-103X	MG RESISTOR	10kΩ 1/16W J						
R745	NRSA63J-103X	MG RESISTOR	10kΩ 1/16W J						
R746	NRSA63J-103X	MG RESISTOR	10kΩ 1/16W J						
R747	NRSA63J-472X	MG RESISTOR	4.7kΩ 1/16W J						
R748	NRSA63J-472X	MG RESISTOR	4.7kΩ 1/16W J						
R749	NRSA63J-472X	MG RESISTOR	4.7kΩ 1/16W J						
R750	NRSA63J-103X	MG RESISTOR	10kΩ 1/16W J						
R751	NRSA63J-103X	MG RESISTOR	10kΩ 1/16W J						
R753	NRSA63J-473X	MG RESISTOR	47kΩ 1/16W J						
R754	NRSA63J-821X	MG RESISTOR	820Ω 1/16W J						
R755	NRSA63J-106X	MG RESISTOR	10MΩ 1/16W J						
R756	NRSA63J-473X	MG RESISTOR	47kΩ 1/16W J						
R757	NRSA63J-222X	MG RESISTOR	2.2kΩ 1/16W J						
R758	NRSA63J-473X	MG RESISTOR	47kΩ 1/16W J						
R760	NRSA63J-473X	MG RESISTOR	47kΩ 1/16W J						
R761	NRSA63J-473X	MG RESISTOR	47kΩ 1/16W J						
R764	NRSA63J-101X	MG RESISTOR	100Ω 1/16W J						
R765	NRS181J-511X	MG RESISTOR	510Ω 1/8W J						
R771	NRSA63J-271X	MG RESISTOR	270Ω 1/16W J						
R772	NRSA63J-271X	MG RESISTOR	270Ω 1/16W J						
R783	NRSA63J-103X	MG RESISTOR	10kΩ 1/16W J						
R801	NRSA63J-473X	MG RESISTOR	47kΩ 1/16W J						
R802	NRSA63J-473X	MG RESISTOR	47kΩ 1/16W J						
R803	NRSA63J-101X	MG RESISTOR	100Ω 1/16W J						
R804	NRSA63J-223X	MG RESISTOR	22kΩ 1/16W J						
R805	NRSA63J-104X	MG RESISTOR	100kΩ 1/16W J						
R806	NRSA63J-103X	MG RESISTOR	10kΩ 1/16W J						
R807	NRSA63J-104X	MG RESISTOR	100kΩ 1/16W J						
R808	NRSA63J-331X	MG RESISTOR	330Ω 1/16W J						
R809	NRSA63J-223X	MG RESISTOR	22kΩ 1/16W J						
R810	NRSA63J-101X	MG RESISTOR	100Ω 1/16W J						
R841	NRSA63J-222X	MG RESISTOR	2.2kΩ 1/16W J						
R881	NRSA63J-473X	MG RESISTOR	47kΩ 1/16W J						
R882	NRSA63J-472X	MG RESISTOR	4.7kΩ 1/16W J						
R891	NRSA63J-473X	MG RESISTOR	47kΩ 1/16W J						
R892	NRSA63J-102X	MG RESISTOR	1kΩ 1/16W J						
R901	QRE142J-470X	C RESISTOR	47Ω 1/4W J						
R902	NRSA02J-103X	MG RESISTOR	10kΩ 1/10W J						
R903	NRSA02J-472X	MG RESISTOR	4.7kΩ 1/10W J						
R904	NRSA63J-183X	MG RESISTOR	18kΩ 1/16W J						
R905	NRSA63J-103X	MG RESISTOR	10kΩ 1/16W J						
R906	NRSA63J-102X	MG RESISTOR	1kΩ 1/16W J						
R907	NRSA63J-473X	MG RESISTOR	47kΩ 1/16W J						
R976	NRSA02J-273X	MG RESISTOR	27kΩ 1/10W J						
R977	NRSA02J-123X	MG RESISTOR	12kΩ 1/10W J						
R981	NRS181J-222X	MG RESISTOR	2.2kΩ 1/8W J						
R982	NRS181J-222X	MG RESISTOR	2.2kΩ 1/8W J						
L1	QQL244J-4R7Z	INDUCTIOR	4.7uH J						
L701	QQL244K-4R7Z	COIL	4.7uH K						
L702	NQL114M-1R0X	COIL	1uH M						
L901	QQR0703-001	CHOKE COIL							

Mecha control board

Block No. [0][2][0][0]

△ Symbol No.	Part No.	Part Name	Description	Local
IC401	CXA2560Q	IC	Dolby B type noise reduction system with play back equalizer amp.	
IC402	LB1641	IC	DC Motor driver	
Q402	UN2211-X	TRANSISTOR		
Q403	2SB1322/RS-T	TRANSISTOR		
D401	MA3047/H/-X	Z DIODE		
D402	1A3G-T1	SI DIODE		
C401	NDC31HJ-101X	C CAPACITOR	100pF 50V J	
C402	NDC31HJ-101X	C CAPACITOR	100pF 50V J	
C403	NDC31HJ-101X	C CAPACITOR	100pF 50V J	
C404	NDC31HJ-101X	C CAPACITOR	100pF 50V J	
C405	NDC31HJ-101X	C CAPACITOR	100pF 50V J	
C406	NDC31HJ-101X	C CAPACITOR	100pF 50V J	
C407	NDC31HJ-101X	C CAPACITOR	100pF 50V J	
C408	NDC31HJ-101X	C CAPACITOR	100pF 50V J	
C409	QEKJ1CM-226Z	E CAPACITOR	22uF 16V M	
C410	QFV61HJ-153Z	MF CAPACITOR	0.015uF 50V J	
C411	QFV61HJ-153Z	MF CAPACITOR	0.015uF 50V J	
C412	NCB31EK-104X	C CAPACITOR	0.1uF 25V K	
C413	NCB31EK-104X	C CAPACITOR	0.1uF 25V K	
C414	QEKJ1CM-226Z	E CAPACITOR	22uF 16V M	
C415	NCB31EK-103X	C CAPACITOR	0.01uF 25V K	
C416	QFVD1HJ-104Z	MF CAPACITOR	0.1uF 50V J	
C417	QFVD1HJ-104Z	MF CAPACITOR	0.1uF 50V J	
C418	NDC31HJ-221X	C CAPACITOR	220pF 50V J	
C419	QEKJ1HM-474Z	E CAPACITOR	0.47uF 50V M	
C421	NCB31HK-183X	C CAPACITOR	0.018uF 50V K	
C422	NCB31EK-104X	C CAPACITOR	0.1uF 25V K	
C423	QERF1CM-106Z	E CAPACITOR	10uF 16V M	
C424	NCB31EK-104X	C CAPACITOR	0.1uF 25V K	
C425	NCB31HK-103X	C CAPACITOR	0.01uF 50V K	
R401	NRS181J-681X	MG RESISTOR	680Ω 1/8W J	
R402	NRSA63J-104X	MG RESISTOR	100kΩ 1/16W J	
R403	NRSA63J-104X	MG RESISTOR	100kΩ 1/16W J	
R404	NRSA63J-104X	MG RESISTOR	100kΩ 1/16W J	
R405	NRSA63J-104X	MG RESISTOR	100kΩ 1/16W J	
R406	NRSA63J-181X	MG RESISTOR	180Ω 1/16W J	
R407	NRSA63J-181X	MG RESISTOR	180Ω 1/16W J	
R412	NRSA02J-101X	MG RESISTOR	100Ω 1/10W J	
R413	NRSA63J-183X	MG RESISTOR	18kΩ 1/16W J	
R414	NRSA63J-392X	MG RESISTOR	3.9kΩ 1/16W J	
R415	NRSA63J-223X	MG RESISTOR	22kΩ 1/16W J	
R416	NRSA63J-155X	MG RESISTOR	1.5MΩ 1/16W J	
R417	NRSA63J-103X	MG RESISTOR	10kΩ 1/16W J	

△ Symbol No.	Part No.	Part Name	Description	Local	△ Symbol No.	Part No.	Part Name	Description	Local
R418	NRSA63J-153X	MG RESISTOR	15kΩ 1/16W J		R610	NRSA63J-392X	MG RESISTOR	3.9kΩ 1/16W J	
R422	NRSA02J-332X	MG RESISTOR	3.3kΩ 1/10W J		R611	NRSA63J-821X	MG RESISTOR	820Ω 1/16W J	
R423	NRS181J-473X	MG RESISTOR	47kΩ 1/8W J		R612	NRSA63J-821X	MG RESISTOR	820Ω 1/16W J	
R424	NRSA02J-332X	MG RESISTOR	3.3kΩ 1/10W J		R613	NRSA63J-122X	MG RESISTOR	1.2kΩ 1/16W J	
R425	NRS181J-330X	MG RESISTOR	33Ω 1/8W J		R614	NRSA63J-182X	MG RESISTOR	1.8kΩ 1/16W J	
VR401	QVP0009-333Z	TRIM RESISTOR	33kΩ		R620	NRS181J-821X	MG RESISTOR	820Ω 1/8W J	
VR402	QVP0009-333Z	TRIM RESISTOR	33kΩ		R621	NRSA02J-821X	MG RESISTOR	820Ω 1/10W J	
CN401	QGB1214K1-18S	CONNECTOR	B-B (1-18)		R622	NRSA02J-821X	MG RESISTOR	820Ω 1/10W J	
CN402	QGA2001C1-06	CONNECTOR	W-B (1-6)		R623	NRSA02J-102X	MG RESISTOR	1kΩ 1/10W J	
CN403	QGF1219F1-10S	CONNECTOR	FFC/FPC (1-10)		R624	NRSA02J-102X	MG RESISTOR	1kΩ 1/10W J	

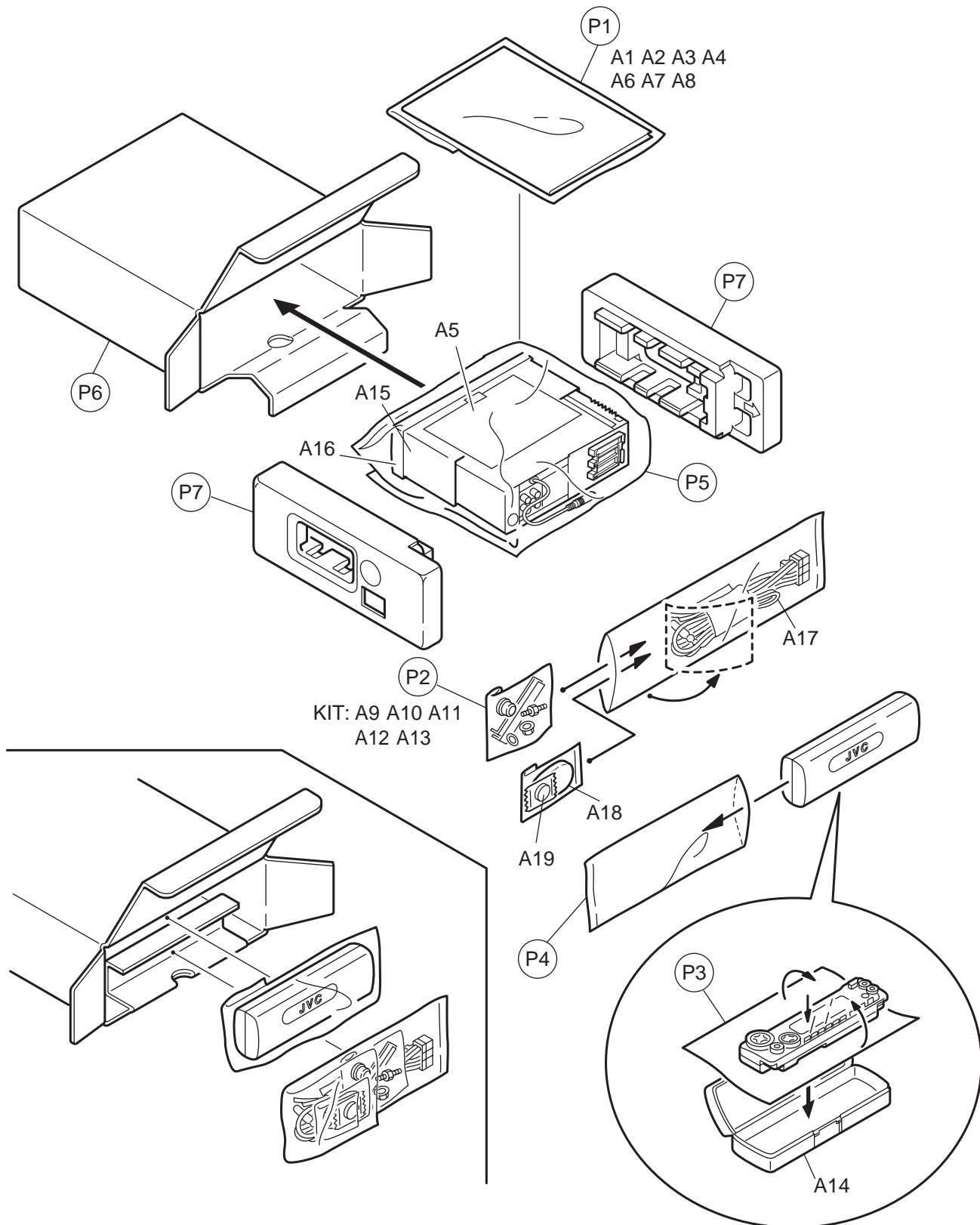
Front board

Block No. [0][3][0][0]

△ Symbol No.	Part No.	Part Name	Description	Local	△ Symbol No.	Part No.	Part Name	Description	Local
IC601	LC75873NW	IC	LCD Driver		R635	NRSA02J-182X	MG RESISTOR	1.8kΩ 1/10W J	
IC602	RPM6938-SV4	IC	Remote sensor		R636	NRSA02J-182X	MG RESISTOR	1.8kΩ 1/10W J	
Q641	2SB624/4/-X	TRANSISTOR			R637	NRSA02J-821X	MG RESISTOR	820Ω 1/10W J	
Q642	UN2211-X	TRANSISTOR			R638	NRSA02J-821X	MG RESISTOR	820Ω 1/10W J	
D601	SML-310LT/MN/-X	LED			R639	NRSA02J-821X	MG RESISTOR	820Ω 1/10W J	
D602	SML-310VT/JK/-X	LED			R640	NRSA02J-821X	MG RESISTOR	820Ω 1/10W J	
D603	SML-310VT/JK/-X	LED			R641	NRS181J-431X	MG RESISTOR	430Ω 1/8W J	
D604	SML-310VT/JK/-X	LED			R642	NRS181J-431X	MG RESISTOR	430Ω 1/8W J	
D605	SML-310VT/JK/-X	LED			R643	NRS181J-431X	MG RESISTOR	430Ω 1/8W J	
D606	SML-310VT/JK/-X	LED			R644	NRS181J-471X	MG RESISTOR	470Ω 1/8W J	
D607	SML-310VT/JK/-X	LED			R645	NRSA63J-473X	MG RESISTOR	47kΩ 1/16W J	
D608	SML-310VT/JK/-X	LED			R646	NRS181J-102X	MG RESISTOR	1kΩ 1/8W J	
D609	SML-310VT/JK/-X	LED			R650	NRSA63J-0R0X	MG RESISTOR	0Ω 1/16W J	
D610	SML-310VT/JK/-X	LED			R651	NRSA63J-473X	MG RESISTOR	47kΩ 1/16W J	
D611	SML-310VT/JK/-X	LED			R652	NRSA63J-473X	MG RESISTOR	47kΩ 1/16W J	
D612	SML-310VT/JK/-X	LED			R653	NRS181J-102X	MG RESISTOR	1kΩ 1/8W J	
D613	SML-310VT/JK/-X	LED			R654	NRSA63J-221X	MG RESISTOR	220Ω 1/16W J	
D614	SML-310VT/JK/-X	LED			R655	NRSA63J-394X	MG RESISTOR	390kΩ 1/16W J	
D615	SML-310VT/JK/-X	LED			R656	NRSA63J-334X	MG RESISTOR	330kΩ 1/16W J	
D616	SML-310VT/JK/-X	LED			R657	NRSA63J-103X	MG RESISTOR	10kΩ 1/16W J	
D617	LNJ308G81/1-3/X	LED			R658	NRSA63J-103X	MG RESISTOR	10kΩ 1/16W J	
D618	SML-310VT/JK/-X	LED			R659	NRSA63J-103X	MG RESISTOR	10kΩ 1/16W J	
D619	SML-310VT/JK/-X	LED			R660	NRSA63J-103X	MG RESISTOR	10kΩ 1/16W J	
D620	SML-310VT/JK/-X	LED			R661	NRSA63J-471X	MG RESISTOR	470Ω 1/16W J	
D641	NSPW310BS/BRS/	LED			R662	NRSA63J-332X	MG RESISTOR	3.3kΩ 1/16W J	
D642	NSPW310BS/BRS/	LED			R663	NRSA63J-332X	MG RESISTOR	3.3kΩ 1/16W J	
D643	NSPW310BS/BRS/	LED			R664	NRSA63J-332X	MG RESISTOR	3.3kΩ 1/16W J	
D651	UDZS5.1B-X	Z DIODE			CN601	QNZ0006-001	CAR CONNECTOR		
D652	1SS355-X	SI DIODE			EN601	QSW0976-001	ROTARY ENCODER		
D653	1SS355-X	SI DIODE			S601	NSW0124-001X	TACT SW		
D654	1SS355-X	SI DIODE			S602	NSW0124-001X	TACT SW		
D655	1SS355-X	SI DIODE			S603	NSW0124-001X	TACT SW		
D656	1SS355-X	SI DIODE			S604	NSW0124-001X	TACT SW		
D657	1SS355-X	SI DIODE			S605	NSW0124-001X	TACT SW		
D658	1SS355-X	SI DIODE			S606	NSW0124-001X	TACT SW		
D659	UDZS5.6B-X	Z DIODE	1.5kΩ 1/10W J		S607	NSW0124-001X	TACT SW		
C601	NBE20JM-475X	TA E CAPACITOR	4.7uF 6.3V M		S608	NSW0124-001X	TACT SW		
C602	NCB31HK-103X	C CAPACITOR	0.01uF 50V K		S609	NSW0124-001X	TACT SW		
C603	NDC31HJ-221X	C CAPACITOR	220pF 50V J		S610	NSW0124-001X	TACT SW		
C604	NCB31AK-224X	C CAPACITOR	0.22uF 10V K		S611	NSW0124-001X	TACT SW		
C605	NCB31AK-224X	C CAPACITOR	0.22uF 10V K		S612	NSW0124-001X	TACT SW		
C606	NBE20JM-475X	TA E CAPACITOR	4.7uF 6.3V M		S613	NSW0124-001X	TACT SW		
C608	NCB31HK-103X	C CAPACITOR	0.01uF 50V K		S614	NSW0124-001X	TACT SW		
C609	NCB31HK-103X	C CAPACITOR	0.01uF 50V K		S615	NSW0124-001X	TACT SW		
R601	NRSA63J-821X	MG RESISTOR	820Ω 1/16W J		S616	NSW0124-001X	TACT SW		
R602	NRSA63J-821X	MG RESISTOR	820Ω 1/16W J		S617	NSW0124-001X	TACT SW		
R603	NRSA63J-122X	MG RESISTOR	1.2kΩ 1/16W J						
R604	NRSA63J-182X	MG RESISTOR	1.8kΩ 1/16W J						
R605	NRSA63J-821X	MG RESISTOR	820Ω 1/16W J						
R606	NRSA63J-821X	MG RESISTOR	820Ω 1/16W J						
R607	NRSA63J-122X	MG RESISTOR	1.2kΩ 1/16W J						
R608	NRSA63J-182X	MG RESISTOR	1.8kΩ 1/16W J						
R609	NRSA63J-272X	MG RESISTOR	2.7kΩ 1/16W J						

Packing materials and accessories parts list

Block No. M 3 M M



Packing and accessories

Block No. [M][3][M][M]

△ Symbol No.	Part No.	Part Name	Description	Local
A 1	GET0121-001A	INST BOOK	ENG,GER,FRE,DU T	
A 2	GET0121-002A	INST BOOK	SPA,ITA,POL,RUS	
A 3	GET0121-003A	INSTALL MANUAL	ENG,GER,FRE,DU T	
A 4	GET0121-004A	INSTALL MANUAL	SPA,ITA,POL,RUS	
A 5	LV40978-001A	CAUTION SHEET		
A 6	BT-54013-6	WARRANTY CARD		
A 7	VND3050-002	IDENTITY CARD		
A 8	VND3046-001	SERIAL TICKET		
A 9	VKZ4027-202	PLUG NUT		
A 10	VKH4871-001SS	MOUNT BOLT		
A 11	VKZ4328-001	LOCK NUT		
A 12	WNS5000Z	WASHER		
A 13	GE40130-001A	HOOK	(x2)	
A 14	FSJB3002-00C	HARD CASE		
A 15	GE20137-003A	MOUNTING SLEEVE		
A 16	GE20149-005A	TRIM PLATE		
A 17	QAM0176-002	POWER CORD		
A 18	RM-RK50	REMOCON UNIT		
A 19	-----	BATTERY		
KIT	KSFX480K-SCREW1	SCREW PARTS KIT	A9 to A13	
P 1	FSPG4002-001	POLY BAG	(x2)	
P 2	QPA00801205	POLY BAG	8cm x 12cm	
P 3	FSYH4036-068	SHEET		
P 4	QPA01003003	POLY BAG	10cm x 30cm	
P 5	QPC03004315P	POLY BAG	30cm x 43cm	
P 6	GE30685-001A	CARTON		
P 7	GE10070-001A	EPS CUSHION		